



MEEK & MILAM

B. C. MILAM

B. C. MILAM & SON

"HARK TO THE MUSIC OF THE REEL!
WE LISTEN WITH DEVOTION:
THERE'S SOMETHING IN THAT CIRCLING WHEEL
THAT STIRS THE HEART'S EMOTIONS!"

SOME ACCOUNT OF THE NATURE, CAPABILITIES AND MANIFOLD VIRTUES OF

THE MILAM
"FRANKFORT, KENTUCKY"
FISHING REEL

MANUFACTURED BY

B. C. MILAM & SON
FRANKFORT, KENTUCKY, U. S. A.
ESTABLISHED 1839

To the Milam Reel was awarded the Grand Gold Medal at the International Fisheries Exposition held in Bergen, Norway, in 1898.



It received the highest award at the Columbia Exposition, Chicago, 1893; Bergen, Norway, 1898; Paris, France, 1900; Louisiana Purchase Exposition, St. Louis, 1904.

MORE than three quarters of a century back, viz.: in the year 1839, the makers of the "MILAM" recognized the field waiting to be occupied by a reel in which material and construction should be so combined as to yield an instrument absolutely reliable under all conditions of use and abuse. For a reel that should be light and compact in form, simple but powerful in its make-up, and above all, one not easily deranged by the constant "wear and tear" inseparable from its use. With a full recognition of these exacting conditions they commenced on a very modest scale the manufacture of the Milam Frankfort Kentucky Reel and in all the years that have elapsed since 1839 they have never deviated from the course originally laid down for its production, viz.: the invariable use of the best obtainable material and upon such material the bestowment of every resource of ingenuity and painstaking workmanship. As a practical endorsement of this policy it may be of interest to note that the first MILAM REELS turned out by them in the year 1839 are still in perfect working order.

With the simple statement that we build the MILAM KENTUCKY REEL even better now than we did almost a century back, and that up to this time

NO. 1—TROUT REEL.

This is a small reel, but will hold ample line for trout fishing.
Dimensions No. 1—Length, 1 3/8 in.; diameter, 1 5/8 in.

	PRICE	German Silver	Brass
		Each	Each
Alarm only, crank handle.....		\$22 00	\$19 00
Alarm only, balance handle.....		23 00	20 00
Alarm and rubber, crank handle.....		24 00	21 00
Alarm and rubber, balance handle.....		25 00	22 00

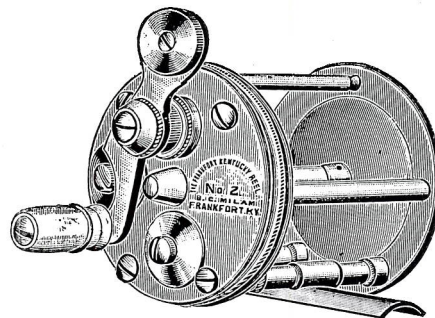
NO. 2—BASS AND TOURNAMENT CASTING REEL.

Mr. A. B. Whitby, of the Illinois Bait-Casting Club, won the trophy in distance bait-casting with quarter ounce weight, at the National Association of Scientific Angling Clubs in New York City with this reel. He made the record for National Tournaments, an average of 125 2-5 feet in five casts as follows: 131 feet, 134 feet, 117 feet, 122 feet and 123 feet.

The reel has a light spool; is well balanced and as shown by the above record, starts easily with a light weight.

Dimensions No. 2—Length, 1 1/2 in.; diameter, 1 3/4 in.

	PRICE	German Silver	Brass
		Each	Each
Alarm only, crank handle.....		\$23 00	\$20 00
Alarm only, balance handle.....		24 00	21 00
Alarm and rubber, crank handle.....		25 00	22 00
Alarm and rubber, balance handle.....		26 00	23 00



No. 2—FOR BASS AND TOURNAMENT CASTING
Line Capacity 40 to 60 Yards—German Silver—\$26.00

NO. 3—GENERAL UTILITY REEL.

This size reel (cut on pages 15-16) can be and is, used for trout, bass and salmon fishing. We call this our standard size.

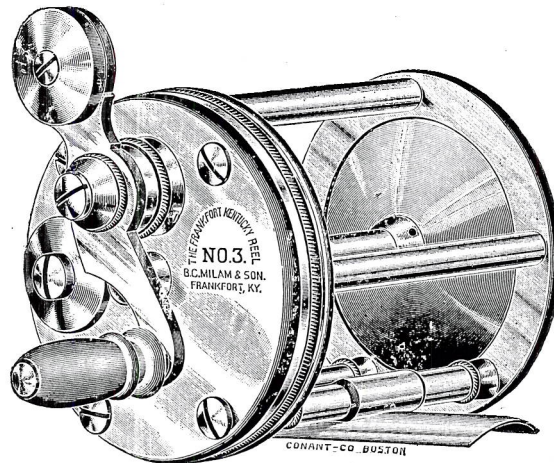
If a man can only afford one reel, and wants one to use for all his fishing, No. 3 is the size to get. It is light enough to use for trout and bass and heavy enough for pike or salmon, holding line sufficient for all purposes. The cuts show the exact size of No. 3. Dimensions No. 3—Length 1 7/8 in.; diameter, 2 in.

	PRICE	German Silver Each	Brass Each
Iron only, crank handle.....		\$25 00	\$22 00
Iron only, balance handle.....		26 00	23 00
Iron and rubber, crank handle.....		27 00	24 00
Iron and rubber, balance handle.....		28 00	25 00

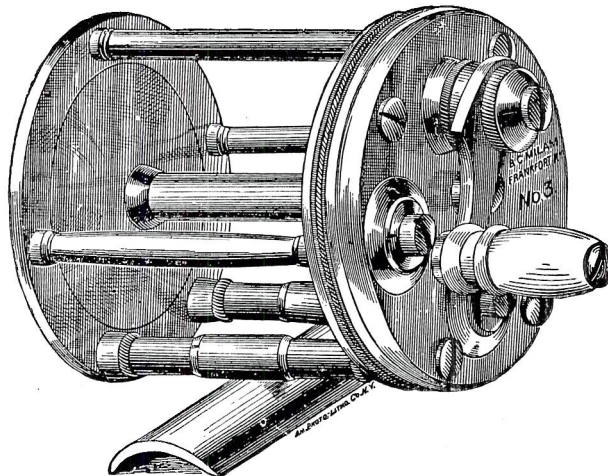
NO. 4—SALMON AND MUSCALLONGE REEL.

This is used for salmon and heavy lake fishing. Dimensions No. 4—Length 1 3/4 in.; diameter, 2 1/4 in.

	PRICE	German Silver Each	Brass Each
Iron only, crank handle.....		\$27 00	\$24 00
Iron only, balance handle.....		28 00	25 00
Iron and rubber, crank handle.....		29 00	26 00
Iron and rubber, balance handle.....		30 00	27 00



Exact Size No. 3—Balance Handle—Line Capacity 80 to 100 yards—German Silver—\$28.



Exact Size No. 3—Crank Handle—Capacity 80 to 100 Yards—German Silver—\$27.00

NO. 5—BASS REEL.

Can also be used for same fishing as No. 4, but is larger and stronger, and is more suited for sea fishing.

Dimensions No. 5—Length 1 7/8 in.; diameter, 2 1/2 in.

PRICE	German Silver Each
Alarm only, crank handle	\$28 00
Alarm only, balance handle	29 00
Alarm and rubber, crank handle	30 00
Alarm and rubber, balance handle	31 00

NO. 6—RED FISH AND SEA BASS REEL.

This reel is larger and stronger than No. 5.

Dimensions No. 6—Length 2 in.; diameter 2 3/4 in.

PRICE	German Silver Each
Alarm only, crank handle	\$30 00
Alarm only, balance handle	31 00
Alarm and rubber, crank handle	32 00
Alarm and rubber, balance handle	33 00

17

NO. 9 TARPON REEL

The cut on page 19 is one-half the size, No. 9 being 3 1/2 inches in diameter and 2 3/8 inches in length and holds 200 yards of No. 21 thread line.

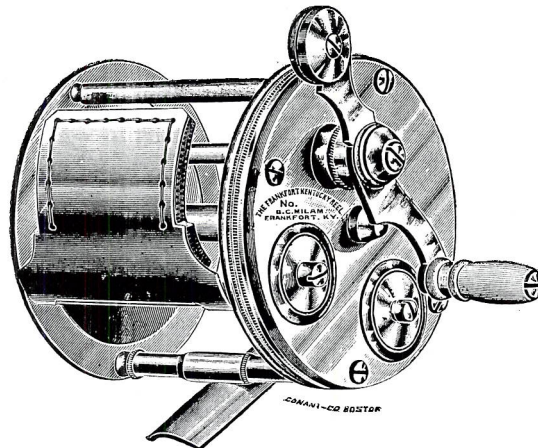
The reel is made of German silver, which is not affected by salt water, is fitted with click and drag and in addition has the "Ballejo" drag.

This drag is made of German silver, lined with leather, and hinges on the side bar. By pressing on the drag, friction is caused along the entire length of the spool which will quickly check a rush without injury to the line. The gears are strong and have smooth action. In every way this Tarpon No. 9 is built to stand the hard work required of such an instrument.

Price complete with all attachments \$50.00

Add \$1.00 to the price of any reel if you desire a "Ballejo" attachment.

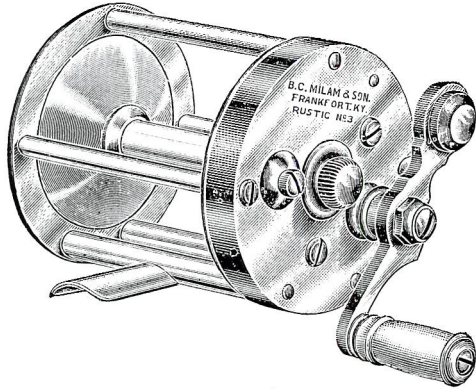
18



No. 9—TARPON REEL
For Description See Page 18—Line Capacity 200 Yards No. 21 Thread—\$50.00

19

THE RUSTIC — A MILAM — \$9.50 REEL



To meet the demand for a durable, well made reel at a popular price, we are producing a No. 3 and selling it at \$9.50. It is designated as Milam Rustic No. 3. It is quadruple multiplying and made of German silver, has click and drag and balance handle. Pinions and pivots are of best tool steel. It is 2 inches in diameter and holds from 80 to 100 yards of line. It is smooth in action and attractive in appearance. The material is in it, and the wear is there, too, and we believe it is the best reel one can get for this price.

Price, Jeweled, \$10.50.

20

LEATHER CASES

These cases are made of fine sole leather, are strong, well sewed.



Price each, \$2.00.

CONCERNING OILS—A WORD

There are oils and oils, but the very best and purest that can be produced are none too good for a fine reel. We have prepared for us a special oil, made from the Porpoise jaw, that we invariably use and furnish to our customers in small bottles. This oil is colorless, odorless and does not gum or evaporate readily.

Price 25c per bottle, postage prepaid.

21