

"GOOD Master Piscator, there be  
much within this little book  
exceeding well worth the pondering  
of any honest man who findeth his  
diversion in the taking of fishes with  
an angle."

FOURIER JOURNAL, JOB PRINT, LOUISVILLE

# The MILAM

---

---

The Genuine and Original  
"Frankfort" "Kentucky"

# REEL

---

---

---

---

MADE BY

B. C. MILAM & SON,  
FRANKFORT, KY.

*"Hark to the music of the Reel!  
We listen with devotion;  
There's something in that circling wheel  
That stirs the heart's emotion!"*

SOME ACCOUNT OF THE

NATURE, CAPABILITIES  
AND MANIFOLD VIRTUES

OF THE

"Frankfort, Kentucky" Fishing Reel

Manufactured by

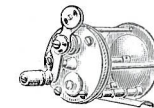
B. C. MILAM & SON

AT

FRANKFORT, KENTUCKY,

U. S. A.

Established "A. D." 1839



## To THE MILAM REEL

WAS AWARDED THE GRAND  
GOLD MEDAL AT THE

### International Fisheries Exposition

Held in Bergen, Norway, in 1898



IT RECEIVED THE HIGHEST AWARD AT THE

Columbian Exposition at Chicago in	- - -	1893
Bergen, Norway	- - - - -	1898
Paris, France	- - - - -	1900

IN 1651, that is to say, two years before Izaak Walton issued his first edition of the "Compleat Angler," there was published in London a quaint little volume, entitled

## BARKER'S DELIGHT

### OR THE ART OF ANGLING

By THOMAS BARKER.

"An antient practioner in the said art," etc.

In this little book, the "Wynch," "Wynder" or Reel first formally appears in piscatorial literature in a description of the proper tackle for the taking of the "saumon," as follows:

"—there must be a little wire ring at the upper end" "of the top for the line to run through that you may take" "up and loose the line at your pleasure; you must have" "your 'WINDER' within two feet of the bottom to goe" "on your rod made in this manner with a spring that" "you may put it as low as you please."

It is well known that the "Winch" or Reel was not in general use until long after Walton's time, but by 1770 it had undergone great improvements, as in that year one Onesimus Ustonson, advertises "the best sort of Multiplying Brass Winches, both stop and plain." At its best, however, the reel known to anglers of earlier days was at once cumbersome and faulty in construction and uncertain in its operation.

The first fishing reels used in America were doubtless of English manufacture, but with the unlimited field for their use in a land so bountifully supplied with lakes and water courses, native ingenuity speedily undertook the practical re-construction of this prime necessity for the pursuit of the "gentle craft."

More than half a century back, viz.: in the year 1839, the makers of the "MILAM," recognized the field waiting to be occupied by a reel in which material and construction should be so combined as to yield an instrument absolutely reliable under all conditions of use and abuse. For a reel that should be light and compact in form, simple but powerful in its make-up, and above all, one not easily deranged by the constant "wear and tear" inseparable from its use. With a full recognition of these exacting conditions they commenced on a very modest scale the manufacture of the Milam Frankfort Kentucky Reel and in all the years that have elapsed since 1839 they have never deviated from the course originally laid down for its production, viz.: the invariable use of the best obtainable material and upon such material the bestowment of every resource of ingenuity and painstaking workmanship. As a practical endorsement of this policy it may be of interest to note that the first MILAM REEL turned out by them in the year 1839 is still in perfect working order, and only last year gave a "good account of itself" on the bass streams of our State.

With the simple statements that we build the MILAM KENTUCKY REEL, even better now than we did half a century back, and that up to this time we have never heard of one wearing out we will dismiss the general subject of their supreme excellence.

The "MILAM" is a combined multiplying and click reel, and is therefore equally available for fly or bait fishing. It multiplies four-fold and so slight is the friction of its moving parts that a single smart stroke of the handle produces hundreds of revolutions of the spool. In bait fishing the reel is used "clear," *i. e.*, without either alarm or rubber and with a little practice the bait may be dropped with ease and precision on any desired spot within 50 or 60 yards. For Fly Fishing it is customary to use the drag and when desired (as is usually the case) the alarm or "click," but any one of these features can be utilized singly, or all of them collectively at will. We invite special attention to these various adjuncts as by their clear understanding alone, can the unique capabilities of the MILAM REEL be appreciated, and the instrument transformed to a multiplying, click, or free running reel at pleasure. These changes are produced by sliding discs on side of reel and do not complicate its operation. As elsewhere generally stated only the finest material is used and pinions and pivots are of tool steel carefully tempered and fitted with extreme accuracy. No castings enter into the MILAM REEL, only wrought metals. Plates, caps, handles, etc., are all cut from hard-rolled sheet metals.

## INTERESTING HISTORY.

\*

On November 2, 1901, Judge Shackelford Miller, of Louisville, Ky., rendered an opinion in the suit of B. C. Milam & Son, asking for an injunction to prevent the corporation, B. F. Meek & Sons (J. H. Sutcliffe and others), from using the words, "Frankfort" "Kentucky," or either of said words, in describing a fishing reel, and, further, that the defendant be compelled to disclose profits, and that plaintiffs be given judgment for all profits made by defendant on reels so manufactured and sold. Judge Miller granted the relief asked. The facts as brought out in the case will prove of interest to fishermen, as they show a concise history of this famous reel. The evidence shows that crude reels were made in Kentucky before 1830. (Investigation has shown that as early as 1810 a reel was made in Paris.) Mr. Theodore Noel, a watchmaker, made a reel in Frankfort about 1830. B. C. Milam was an apprentice under Mr. Noel's brother. Noel quitting business, Milam went to work with Johnathan Meek. Not liking watchwork he (Milam) took up the reel business and developed the multiplying reel to its present state of perfection. He has devoted his whole life to it; for over sixty years he has done nothing else. The first reels he made were stamped "J. F. & B. F. Meek," then "Meek & Milam," then "B. C. Milam," then "The Frankfort, Kentucky Reel, B. C. Milam," then "The Frankfort, Kentucky, Reel, B. C. Milam & Son." By con-

6

stant application he has built up a reputation for his reel, built it under different names, but the same reel all the time. At last he is forced to come to the courts to ask protection for what he has been so many years honestly acquiring, and the courts have sustained him.

In 1835, Johnathan F. Meek moved to Frankfort from Danville, Ky., and engaged in the jewelry business. His younger brother, B. F. Meek, and B. C. Milam went to work for him as apprentices. In 1839 he and his brother formed a partnership under the firm name of J. F. & B. F. Meek, B. C. Milam still being associated with them. A few reels were made between this time and 1848, when B. C. Milam was taken into the firm, and the name became J. F. Meek & Co., B. C. Milam being the company and doing the work on the reels and stamping them "J. F. & B. F. Meek" as before. In 1852 this firm failed and Johnathan F. Meek moved to Louisville, where he worked until his death at his trade, watchmaking, for Wm. Kendrick.

January 1, 1853, B. F. Meek and B. C. Milam formed a new firm under the name of Meek & Milam, to continue the business of jewelers and reel making at the old stand on Main Street. B. F. Meek attended entirely to watchmaking and jewelry on the lower floor and B. C. Milam had entire charge of and did all the reel work on the second floor of the same house. The partnership agreement was in writing, and shows that upon dissolution Meek was to have the watchmaking tools and Milam was to

7

own the reelmaking outfit. This partnership was dissolved in 1855 by mutual consent, and, according to agreement, Meek took the watchmaking business and Milam took the reelmaking, both remaining in the old stand on Main Street, Meek on the lower floor and Milam on the upper floor. During this partnership Milam stamped the reels "Meek & Milam," and after the separation he continued to stamp them "Meek & Milam," although Meek had no interest in the reel business, and so stamped them from 1853 until about 1880, 27 years. During this long period the reel known as the "Meek & Milam" reel, and made exclusively by B. C. Milam, had become famous not only throughout the United States, but was known to the anglers of Europe.

In 1882 B. F. Meek moved to Louisville and began to make a reel.

In 1898 B. F. Meek having sold out to J. H. Sutcliffe and others, who formed a corporation to continue the manufacture of reels, returned to Frankfort, where he lived until his death.

"The plaintiffs, B. C. Milam & Son, now complain that the defendant corporation, 'B. F. Meek & Sons,' with the design and purpose to get plaintiffs' trade and to deceive the public, is now and has since its purchase from Ben F. Meek in 1898, been manufacturing reels in Louisville, which it puts on the market advertised as the original 'Frankfort, Kentucky Reel,' by reason whereof, it is claimed, the public are deceived into buying defendant's reels as the reels of plaintiffs' make.

"No one of the Meeks is interested in or employed by the defendant corporation, 'B. F. Meek & Sons.'

"Prior to 1882 the 'Meek & Milam Reel,' made in Frankfort by B. C. Milam, had become generally known in Kentucky as the 'Frankfort Reel,' and outside of the State as the 'Kentucky Reel,' or the 'Frankfort, Kentucky Reel,' and was so advertised by Milam in 1882, and was so stamped by him in 1896. The descriptive term or phrase, 'Frankfort, Kentucky Reel,' was first used by Milam. Furthermore, B. F. Meek was never engaged in the manufacture of fishing reels in Frankfort after 1855, while Milam had been continuously in that business at the old stand, 318 Main Street, in Frankfort, from 1848 to the present time, a period of more than fifty years. Under this state of facts, will the defendant be allowed to use the descriptive words, 'Frankfort, Kentucky,' in describing its reels? \* \* \*

"The plaintiffs' reels have become famous during a period of nearly fifty years of exclusive manufacture at Frankfort, Ky.,—in fact, they became so popular as to be generally known and subsequently advertised as the 'Frankfort, Kentucky Reel.' To allow the defendant corporation to reap the benefit of the plaintiffs' long and honorable course in business by indirectly naming or calling its reel, made in Louisville, as the 'Frankfort Reel,' or the 'Frankfort, Kentucky Reel'—something that Ben F. Meek, its assignor, never attempted or claimed—would be in violation of the broad and equitable rule of fair

trade laid down in the many authorities above cited.

"I am of opinion that the plaintiffs are entitled to the relief they ask.

"SHACKELFORD MILLER, *Judge.*"

Under each size reel will be found the length and diameter, and on page 19 the line capacity. Long experience has shown us that the proportions we have adopted are proper to secure the best results. To order we make the reels shorter between plates. This is called "The Short Pattern."

You should take your reel apart at least once a year, clean it well and freshly oil it. No machine will run at its best without oil, but this one is so made that a very little oil will run it a long time.

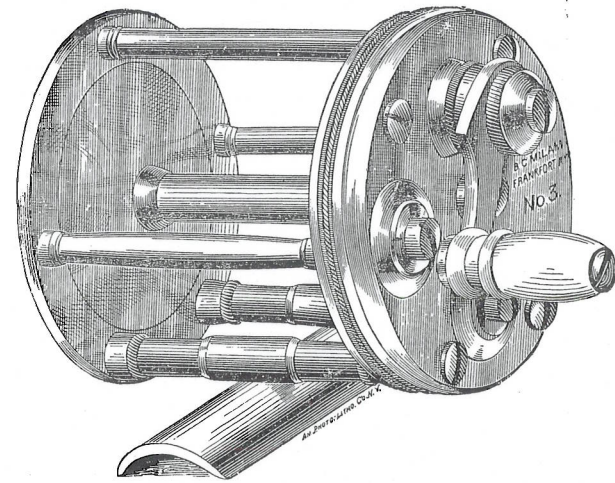
We think the pages that follow this, will supply all further details that you may desire—but if not, any additional information concerning the "MILAM FRANKFORT, KENTUCKY REELS" will be gladly furnished upon application to

**B. C. MILAM & SON,**  
FRANKFORT, KENTUCKY, U. S. A.

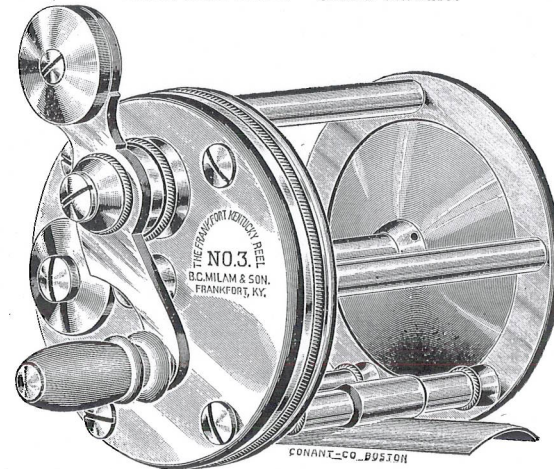


Every Genuine "Milam Frankfort, Kentucky, Reel" now bears this device stamped upon it.

10

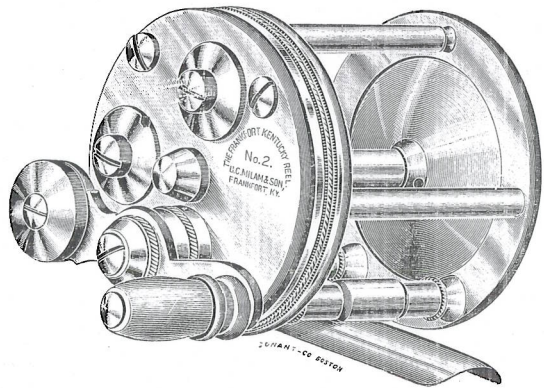


Exact Size No. 3—Crank Handle.



Exact Size No. 3—Balance Handle.  
For line capacities of all reels see page 19.

11



**Exact Size No. 2.**

This reel Dr. Henshall recommends as the ideal size for small mouth black bass fishing.

**No. 1—Trout Reel.**

This is a small reel, but will hold ample line for trout fishing.

Dimensions No. 1.

Length, 1 $\frac{3}{8}$  in. Diameter, 1 $\frac{5}{8}$  in.

Price	German Silver. Each.	Brass. Each.
Alarm only, crank handle .....	\$16 00	\$13 00
Alarm only, balance handle .....	17 00	14 00
Alarm and rubber, crank handle .....	18 00	15 00
Alarm and rubber, balance handle .....	19 00	16 00

**No. 2—Black Bass Reel.**

The cut on page 12 is a No. 2. It holds from 86 to 100 yards of line, and is the ideal black bass reel.

Dimensions No. 2.

Length, 1 $\frac{1}{2}$  in. Diameter, 1 $\frac{3}{4}$  in.

Price	German Silver. Each.	Brass. Each.
Alarm only, crank handle .....	\$17 00	\$14 00
Alarm only, balance handle .....	18 00	15 00
Alarm and rubber, crank handle .....	19 00	16 00
Alarm and rubber, balance handle .....	20 00	17 00

**No. 3—General Utility Reel.**

This size reel (cut on page 11) can be, and is, used for trout, bass and salmon fishing. We call this our standard size.

If a man can only afford one reel, and wants one to use for all his fishing, No. 3 is the size to get. It is light enough to use for trout or bass and heavy enough for pike or salmon, holding line sufficient for all purposes. The cut shows the exact size of No. 3.

Dimensions No. 3.

Length, 1 $\frac{5}{8}$  in. Diameter 2 in.

Price	German Silver. Each.	Brass. Each.
Alarm only, crank handle .....	\$18 00	\$15 00
Alarm only, balance handle .....	19 00	16 00
Alarm and rubber, crank handle .....	20 00	17 00
Alarm and rubber, balance handle .....	21 00	18 00



### No. 4—Salmon or Lake Reel.

This size is used for salmon and heavy lake fishing.

Dimensions No. 4.

Length, 1¾ in. Diameter, 2¼ in.

Price	Price	
	German Silver. Each.	Brass. Each.
Alarm only, crank handle .....	\$20 00	\$17 00
Alarm only, balance handle .....	21 00	18 00
Alarm and rubber, crank handle .....	22 00	19 00
Alarm and rubber, balance handle .....	23 00	20 00

### No. 5—Sea Bass Reel.

Can also be used for same fishing as No. 4, but is larger and stronger, and is more suited for sea fishing.

Dimensions No. 5.

Length, 1⅞ in. Diameter, 2½ in.

Price	Price	
	German Silver. Each.	Brass. Each.
Alarm only, crank handle .....	\$22 00	\$19 00
Alarm only, balance handle .....	23 00	20 00
Alarm and rubber, crank handle .....	24 00	21 00
Alarm and rubber, balance handle .....	25 00	22 00

14

### No. 6—Red Fish and Sea Bass Reel.

This reel is larger and stronger than No. 5.

Dimensions No. 6.

Length, 2 in. Diameter, 2¾ in.

Price	Price	
	German Silver. Each.	Brass. Each.
Alarm only, crank handle .....	\$24 00	\$21 00
Alarm only, balance handle .....	25 00	22 00
Alarm and rubber, crank handle .....	26 00	23 00
Alarm and rubber, balance handle .....	27 00	24 00

### No. 7—Red Fish Reel.

This size is used where one desires something stronger and larger than 5 or 6. 5, 6 and 7 are all used for this heavy class of fishing; 7 is sometimes used for tarpon.

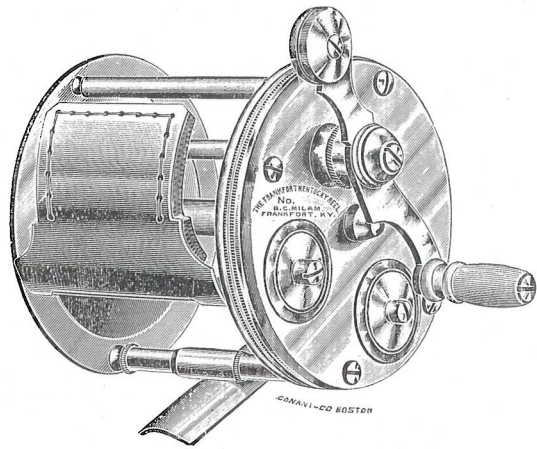
Dimensions No. 7.

Length, 2⅞ in. Diameter, 3 in.

Price	Price	
	German Silver. Each.	Brass. Each.
Alarm only, crank handle .....	\$26 00	
Alarm only, balance handle .....	27 00	
Alarm and rubber, crank handle .....	28 00	
Alarm and rubber, balance handle .....	29 00	

For "Ballejo" drag, add \$1.00.

15



### Nos. 8 and 9—Tarpon Reels.

We are now producing the best tarpon reel in the market, and 8 and 9 are the sizes we have specially fitted for this class of work. Their gearing is heavy and strong, and we warrant them to stand any amount of strain that a fish can put upon them.

We have given much care and study to this grade of reels and can confidently recommend them.

They are made with the alarm and rubber, same as the smaller sizes, and then, when ordered, we put on a "Ballejo" drag. This drag was designed by Mr. Ballejo, of New Orleans, La., to be used on the larger reels when angling for red fish, sea bass and tarpon.

This drag is made of German Silver, is lined with leather and hinges on the side bar of the reel, and when a fish starts for a run you can readily check him by pressing on the drag, which causes friction along the entire length of the spool thereby quickly checking the rush without injury to your line. These drags have proved a perfect success and can be used on reels of all sizes.

Add \$1.00 to the price of any reel if you desire a "Ballejo" drag.

\*The above cut of Tarpon Reel, which is one-half actual size of the No. 9, shows the "Ballejo" drag.

### Dimensions No. 8 and No. 9.

No. 8	No. 9
Length, 2¼ in.	Length, 2¾ in.
Diameter, 3¼ in.	Diameter, 3½ in.

### Price

#### No. 8

German Silver.  
Each.

Alarm only, crank handle .....	\$28 00
Alarm only, balance handle .....	29 00
Alarm and rubber, crank handle .....	30 00
Alarm and rubber, balance handle .....	31 00

#### No. 9

Alarm only, crank handle .....	\$30 00
Alarm only, balance handle .....	31 00
Alarm and rubber, crank handle .....	32 00
Alarm and rubber, balance handle .....	33 00

For "Ballejo" drag add \$1.00.

Capacity in 21 thread Tarpon line:

8, 150 yards. 9, 200 yards.

If you want your reel overhauled, send it to us and it will be done promptly.

### Price List of Parts, Etc.

Cleaning and oiling, 25c. to 75c., according to condition of reel.

Each.	Each.
Screw .....	\$0 25
Ivory for handle .....	0 50
Screw and ivory for handle .....	0 75
Crank handle complete, with ivory and screw ready to put on .....	1 25
Balance handle complete .....	2 00
Button for alarm and rubber .....	0 25
Alarm put in .....	\$0 25
Alarm spring only, not put in .....	0 10
Alarm block .....	0 25
Rubber block .....	0 25
Strap or reel-plate .....	0 50
Pinion for gearing .....	2 50
Brass wheel for gearing ..	2 50

### Oiling and Cleaning the "Milam" Reel.

Very little oil is required to keep these reels in good condition as they are so built that the points where oil is placed are completely protected and none of it can get out nor can any grit get in. Where there are oil holes to be fed from the outside there are always places for the oil used to work out again and also points where grit and sand can work in, and by adding more oil and more sand you soon have the working parts of a reel in very bad condition. Many years of experience have taught us that the plan we have adopted for oiling is the best, as when the proper amount of oil is placed in the pivot holes it cannot work out but it stays where placed, nor can grit enter and cut the bearings.

The Milam reel should always be cleaned when oiled and should be taken apart at least once a year, but twice is better, viz.: once in the spring and once in the fall. First remove the screw that holds the handle in position and take handle off; then remove the four screws in face plate and take said plate off; do not remove the click or drag screw; take the brass wheel from its pin and remove the screw found under it. Now carefully wipe all parts with a soft cloth; clean out the pivot holes and inside brass wheel with a soft pine stick having its end sharpened turning it in the holes and cutting off its soiled end until the stick comes out perfectly clean, alcohol and a small brush will be found useful to complete the cleaning. After cleaning, place one drop of fine oil in each pivot hole, two drops on the pin on which wheel revolves, four drops on the teeth of the brass wheel, half a drop on the collar against which the brass wheel revolves, i. e., the collar that goes through the plate, and you are now ready to assemble your reel just as it was taken down.

### Concerning Oils—A Word.

There are oils and oils, but the very best and purest that can be produced are none too good for a fine reel. We have prepared for us a special oil, made from the Porpoise jaw, that we invariably use and furnish to our customers in small bottles. This oil is colorless, odorless and does not gum or evaporate readily.

Price, 25c per bottle, postage prepaid.

### Line Capacity of the various sizes as actually measured with the NATCHAUG FISH LINES.

No. of Reel, No. of Line.	1	2	3	4	5	6	7	Yards
1, 1½, 2,	60	90	120	150	175	200	225	"
3, 3½, 4,	50	65	90	105	130	145	160	"
5, 5½,	40	55	70	80	100	115	130	"
15,	55	80	110	125	145	170	190	"
16,	40	60	80	90	110	140	170	"
17,	30	40	55	70	80	105	130	"
19,	55	80	110	125	145	170	200	"
20,	40	60	80	90	110	140	170	"
21,	30	40	55	70	80	105	130	"
40,	50	60	80	90	105	115	125	"
41,	35	45	55	70	80	95	110	"

### Jeweled Reels.

We take the term "Jeweled Reel" to mean cap jewel-  
ing, and send this style unless otherwise instructed.  
There are two methods of jewel-  
ing a reel. One is called Cap Jewel-  
ing, and the other is called Cap and Hole  
Jewel-  
ing. In Cap Jewel-  
ing the jewel is visible from the  
outside and takes the wear that comes from the end of  
the pivots. In Cap and Hole Jewel-  
ing the Cap Jewel is  
put in to take the wear from the end of pivots and in  
addition there is a jewel (the hole jewel) that goes inside  
the bushing and takes the wear from the pivots their full  
length.

In ordering please state which style jewel-  
ing is de-  
sired.

For Cap Jewel-  
ing .....\$ 5.00 extra  
For Cap and Hole Jewel-  
ing ..... 10.00 extra  
For Pearl Handle ..... 1.00 extra

### Leather Cases.

These cases are made of fine sole leather, are strong, well  
sewed, and lined with chamois skin.



Price, each \$2.00.

20

*"The lines are fallen unto me in pleasant places."*

**I**N the following pages, we take pleasure in presenting  
a few of the multitude of commendations received  
from friends won to itself by the MILAM FRANKFORT,  
KENTUCKY, REEL.

EXECUTIVE MANSION, WASHINGTON.

B. C. MILAM, ESQ.:

*My dear Sir:*—I have received, through Messrs. Blackburn and  
Breckinridge, the beautiful reel which you have sent to me, and I  
beg you to accept my sincere thanks for the same. I think it is the  
finest piece of work in that line I have ever seen and the sight and  
handling of it makes me long for the time when I can put it to use.

I have no doubt that it will be the means of affording me much  
pleasure, and I hope that my performances may do your handiwork  
no discredit.

Yours very truly,

GROVER CLEVELAND.

ST. PAUL, MINN.

*Dear Sir:*—In reply to your note, I beg to say that I have used  
one of your reels for 18 years and it is yet in excellent order. The  
make and fashion of your work is quite unsurpassed.

Faithfully yours,

JOSEPH JEFFERSON.

116 East 93d St., New York, June 3, 1898.

MESSRS. MILAM & SON:

*Dear Sirs:*—Excuse delay, yours of April 6th addressed to  
*Mirror* office is only just come to hand.

The reels you made for me over ten years ago run as freely as  
they did when they were new, but I thank you for your suggestion  
and will have them oiled a little. I've used many reels, but have  
no doubt that yours is the best in the world.

Yours truly,

C. W. COULDOCK.

21

CHICAGO.

MESSRS. B. C. MILAM & SON, FRANKFORT, KY.:

*Gentlemen:*—After forty years' discipleship of Walton, taking all my recreation in the woods and along trout streams, and of late years among gamey Muscallonge, I feel qualified to pass judgment upon fishing tackle. In all honesty the "Frankfort Reel" is the best ever made. I have tried a half a dozen of the best varieties, and still go back to my old Frankfort, now twenty-five years old. I always say to a sportsman, if you want the best, buy a "Milam."

Very truly yours,

O. W. NIXON,

President Chicago Inter-Ocean Co.

NEW ORLEANS.

MESSRS. B. C. MILAM & SON, FRANKFORT:

*Gentlemen:*—I began using your make of reels (The Frankfort, Kentucky Reel) in the year 1870. At that time, for heavy sea fishing, I used a No. 7, and for Black Bass, one of your No. 2. Later on, in 1876 or 1877, I bought a No. 5 and a No. 00. The large No. 7 I have laid aside as a relic.

For the last fifteen years my No. 5 has taken the place of the No. 7 for Redfish fishing, the No. 2 for Sheephead and the No. 00 for Black Bass fishing. Neither one of these reels have ever been repaired, and are in as good order as the day they were bought.

Yours truly,

CHARLES BALLEJO.

McMINNVILLE, TENN., Aug. 24, 1896.

MESSRS. B. C. MILAM & SON, Frankfort, Ky.:

*Gentlemen:*—There are Reels and rumors of reels throughout the world, but thirty years ago I sat on my grandfather's knee and "ground" one that is still fishing.

It is not necessary to state that she was born in Frankfort forty years ago. I met an Englishman not long since who didn't know where Frankfort was—thought Cincinnati was the Capital of Kentucky, but he knew 'twas the place "where they make the Milam Reels." An Australian from Paramatta (oldest place on the continent) told me he had seen the Milam Reels all over Australia, New Zealand, India and Ceylon—always easily the very first of "winches." I don't think it will ever have a serious rival.

Respectfully,

J. G. MEADOWS,

Supt. McMinnville City Schools.

22

NASHVILLE, TENN., July 18, 1898.

MESSRS. B. C. MILAM & SON, Frankfort, Ky.:

*Gentlemen:*—A friend of ours took great pleasure in showing us a reel of yours that had belonged to his father over twenty years ago. His father lost it in Harpeth River. He made a great many efforts to find it, but never succeeded. A negro boy was in swimming and found the reel. It had lain in the water a little over twenty years. It has his father's name on it. A friend of his paid the boy a couple of dollars for it and brought it to him. He cleaned it up, oiled it, and fished with it. He told me it was just as good as it was the day it was made. So much for the Milam Reel.

Yours very truly,

H. W. FORDE & CO.

SHELBYVILLE, TENN., May 3, 1894.

MESSRS. B. C. MILAM & SON, Frankfort, Ky.:

*Gentlemen:*—I have received the reel you repaired for me. It is in splendid condition. Enclosed please find money to pay for same. You ask me the age and history of this little No. 2. I have investigated thoroughly and I find that this reel was bought thirty-five years ago, and, with the exception of two years, has been in constant use. It went through *two fires* here, one in 1884 and the last in 1887. It was taken from the ruins and damaged to the extent of softening a spring and burning off the ivory knob on the handle. The body of the reel was not hurt, and since you repaired it for me it is *just as good as new*, and I would not part with it now for a good deal. It is the best reel in the world to have had the rub it has had. Where one wants a fishing reel it seems foolish to think of any other than the MILAM. It seems to be a matter of impossibility to destroy this No. 2 I have.

Mr. Bryant, who is President of the Shelbyville Fishing Club, says: "To my certain knowledge this reel is over thirty-five years old and has been handled badly." But she is all O. K. now and should convince any one that the Milam is the reel to buy.

Yours, etc.,

F. R. SANDUSKY, Sec'y.

*Dr. J. A. Henshall's Book of the Black Bass, pages 245-249:*

Among the many excellent multiplying reels now manufactured, the "Frankfort Reel" still takes the lead, and is the reel *PAR EXCELLENCE*. It is as great an improvement on all other multiplying reels as they are on the old single-action English wench. *Me judice*, I consider it the best reel in the world.

23

*Sportsman Gazetteer*, by Chas. Halleck, page 318:

As for reels, the "Frankfort Reel" known also as the "Kentucky Reel," are in the highest esteem. The reel is in fact so simple and perfect in its details that it has not been improved on since it was first produced.

---

WASHINGTON, D. C.

They are certainly the most perfect reels made, and that is acknowledged by everybody.

E. G. RATHBONE,  
Fourth Assistant Postmaster General.

---

NEW ORLEANS, LA.

MESSRS. B. C. MILAM & SON, FRANKFORT, KY.:

*Gentlemen:*—A friend of yours has asked me to express my views regarding your reels. I beg to state that I have used your No. 2, 4 and 6 for the past five or six years, and find them the best I have seen, and I have come in contact with all makes. I cheerfully recommend your reels, as durable and effectual to any one who desires a first-class article.

Respectfully yours,

W. E. LAWRENCE,  
Member of Ballejo's Fishing Club, English Lookout, La.

---

NASHVILLE, TENN.

MESSRS. J. H. FALL & Co.:

*Gentlemen:*—I have been using the "Kentucky Reel," "Milam," for many years, and at times other reels. I have seen many other makes but prefer the Kentucky Reel over all others. It will last a lifetime if proper care is taken of it, and needs little or no repairs. I would use no other if Kentucky Reel could be had.

Yours truly,

JAMES GEDDES.

---

NASHVILLE, TENN.

J. H. FALL & Co.:

Milam's "Kentucky Reel" is the most durable, most reliable, most satisfactory in all respects that I have ever used or seen. I have known it for thirty or thirty-five years, and have never seen one that was worn out, or even rickety. It is unequalled.

Respectfully,

IRA P. JONES.