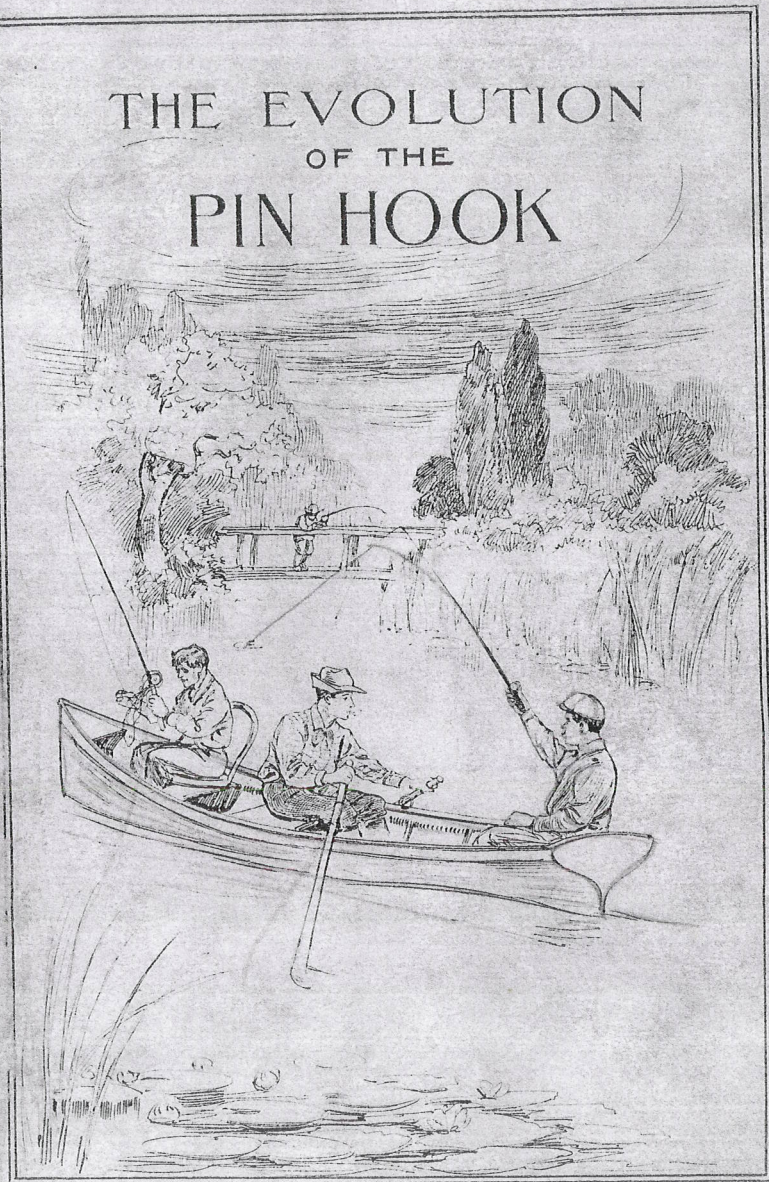


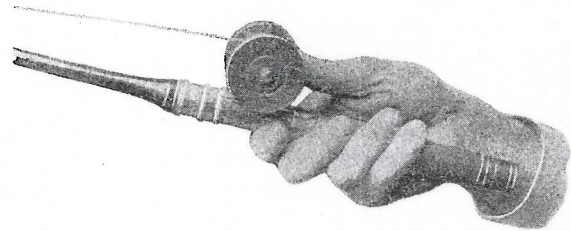
THE FAMOUS
TALBOT REELS

POST PUBLISHING COMPANY
SEVADA, MO.

THE EVOLUTION
OF THE
PIN HOOK



THE FAMOUS
TALBOT REELS



MADE BY

WILLIAM H. TALBOT REEL CO.
NEVADA, MISSOURI, U. S. A.

WORDS OF WISDOM

As our friend, Mr. Dooley puts it, "the laugh is now on the other foot."

No one thinks for a moment of going-a-fishing nowadays without a reel, if he's after game fish.

There are exactly two classes of fishing reels in the market today, The Talbot Reel and the other kind.

The Talbot is as much better than any other make in all the points which go to make Reel Satisfaction, as the Kohinoor diamond is superior to a lump of coal.

We do not mean by this that there are no other good reels to be had; quite the contrary.

But we do wish to impress indelibly upon the mind of the reader that there are no other reels which possess all, or nearly all, the good points of the Talbot.

Did you ever stop to think of the enormous strain a reel is called upon to bear?

At every cast the spool travels feet; in the course of a day's fishing it covers miles at an astonishing rate of speed. It is called upon to handle all sorts and conditions of line, and, justly or unjustly, is blamed for every failure to successfully handle a "strike."

No device of equal delicacy known to the mechanical world has anything like the same amount of work required of it.

A good reel must be as delicately and carefully adjusted as a watch, and an experienced angler is invariably as particular in the selection of his reel as he is in choosing a timepiece.

A special point of excellence in the Talbot is its perfect action and balance. This enables the angler to make casts of any possible length with a minimum of liability to an overrun—the bane of the bait-caster's existence.

Old Fashioned Notions

On the following pages will be found full description of the Talbot Reels. It is not a cheap reel except in the sense that the best at an honest price is always the cheapest in the end. We hold old-fashioned notions about business. We believe there are enough people on this terrestrial globe who appreciate a really good thing to make it worth our while to continue to build honestly into every atom of our product. The Talbot Reel is a new-fashioned reel, made, advertised and sold with old-fashioned regard for honesty. We guarantee every reel exactly as represented. This means that should one of our reels prove defective in any way we will replace it or make the necessary repairs free of charge. As a matter of fact a properly handled Talbot Reel never gets out of order. Time was when the man who fished with a reel was classed as a "dude-fisherman," and figured prominently in supposed-to-be-funny newspaper yarns, wherein a small boy with a sapling for a pole and angleworms for bait, posed as the hero.

The Talbot Reel

The utmost care is used in the selection of materials and the workmanship is as perfect as it is possible for human hands and tools to devise. No other reel can begin to compare with it for artistic design and finish throughout. But the one thing above all others is the gear. This is so made that it is absolutely noiseless in operation and delightfully smooth and easy to touch. When for cleaning or oiling or any other reason it is necessary to take the Talbot Reel apart, it may be done by removing only three screws. All other makes require the removal of five screws. In the Talbot the three bars come up through the cap, thus lending greater stability to the entire reel while reducing the number of parts to a minimum. In short, it is the very best reel that can be built for any price, and better than any now in the field.

Details of Construction

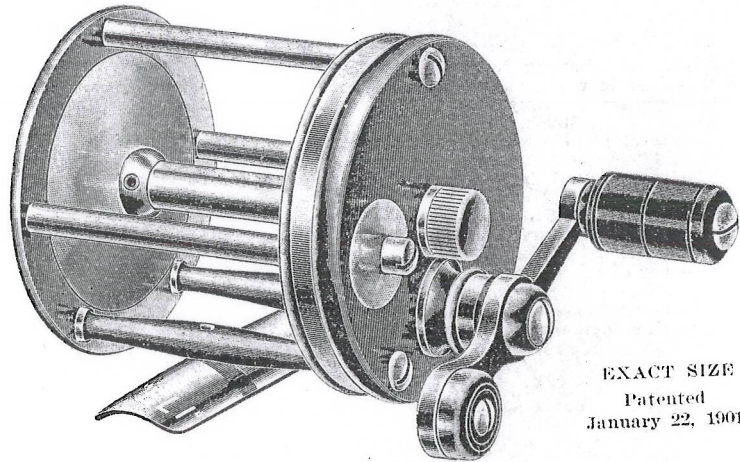
PINIONS, STUDS AND PIVOTS—Stubbs English steel carefully hardened and oil tempered.

WHEELS—Made in one piece from hard drawn aluminum bronze rods.

RODS—Hard drawn and thoroughly tested German silver.

Wherever sheet metal is used, the very best hard rolled material is carefully selected and warranted free from defects.

Wheels and pinions are cut spiral and fitted with extreme care and accuracy. Reels will be finished in sterling silver, or German silver, as ordered. Longer or shorter spools will be made to order. All reels, except Ben Hur Fly Reel, are quadruple multiplying, and have spiral gears. Degree of accuracy one-thousandth of a centimetre.



EXACT SIZE
Patented
January 22, 1901

FISHING REELS

ELI

DIMENSIONS

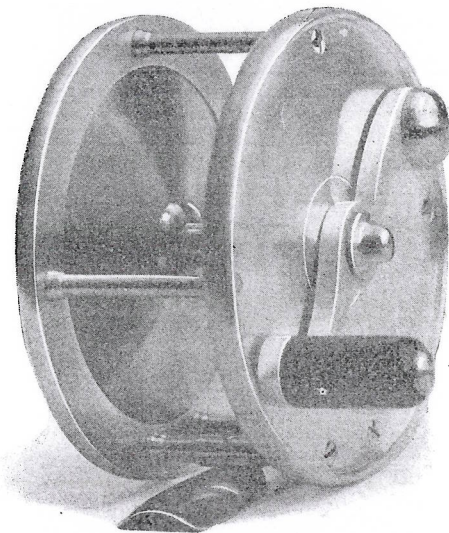
Diameter end plates $1\frac{1}{8}$ inches Length of spool $1\frac{1}{2}$ inches
Diameter spool ends $1\frac{3}{8}$ inches

DESCRIPTION

Made of best quality German silver; steel pinions; studs and pivots hardened and oil tempered. Wheel made of best hard drawn aluminum brass rods. Talbot's latest improved spiral gears; quadruple multiplying; rubber grasp; holds 80 yards medium size bass silk line.

This is the first attempt any factory has made to put on the market a hand made reel at price given. This reel has same line capacity as our No. 3, but it will be noted has longer spool and smaller diameter of spool ends.

Eli, as shown in cut (with Click only) Oil Caps, each . . \$10.00



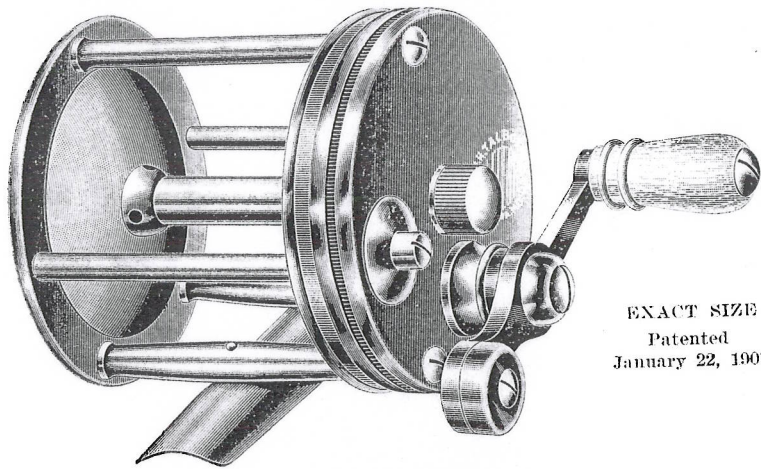
FLY REEL BEN HUR

DESCRIPTION

Made of German silver and aluminum. German silver bars, with superior bearings and workmanship throughout. There has been a longfelt want for a fly reel that will wear. This is undoubtedly the best on the market. It is made for those who want something good; we do not make a cheaper grade.

No. 100, Diameter of end plates 2 3-16 inches; holding
30 yards of "F" tapered line.....\$10.00
No. 101, Diameter of end plates $2\frac{1}{2}$ inches, holding 35
yards of "E" tapered line..... 10.00

Wm. H. Talbot Co. Nevada, Mo., October 15, 1903.
Gentlemen—I have often wondered why no one had given the fly fisherman a suitable and durable reel for the most sublime class of angling known to man. Your casting reels are all that could be desired, and after giving your Ben Hur fly reel a thorough test I can emphatically say that you have conferred a great favor on the fly fisherman, for it is perfection itself; furthermore, it is durable, light and beautifully made. I had far rather pay ten dollars for a fly reel that I can depend upon at all time than a tackle box full of cheaper and inferior reels. Your reel is well named, carrying out strength and durability, as the strength of character and endurance is portrayed in men of the era General Lew Wallace so illustriously pen-pictured in "Ben Hur." Besides, I understand General Wallace is a great lover of fly fishing.
BEN P. MAYES.



EXACT SIZE
Patented
January 22, 1901

FISHING REELS

METEOR

DIMENSIONS

Diameter end plates 2 inches Length of spool 1½ inches
Diameter of spool ends 1½ inches

DESCRIPTION

Made of best quality German silver; steel pinion, studs and pivots hardened and oil tempered. Wheel made of best hard drawn aluminum bronze rods. Talbot's latest improved Spiral Frictionless Gears. Ivory grasp; French gray finish; quadruple multiplying; holds 100 yards bass silk line.

This is a splendid all-around fishing and bait-casting reel. It is hand made and our guarantee is attached to each reel. In this reel will be found excellent service and at a price within the reach of all who enjoy the use of good tools.

Meteor, as shown in cut, Click and Oil Caps, each.....\$12.50
Meteor, as shown in cut, Jeweled with best Garnets,
Click, each..... 15.00
Drag for either, extra..... 1.00

TESTIMONIALS

ST. FRANCOIS FISHING AND HUNTING CLUB.
Bentley Roundtree, President.
E. V. Williams, Secretary and Treasurer.

Springfield, Mo.

Mr. W. H. Talbot, Nevada, Mo.

Dear Sir—After having used both the Kentucky and Van Hoff reels, some three years ago I bought your No. 3 casting reel. My fishing is almost exclusively casting artificial bait, and the reel gets no rest when on the rod. Your reel is far ahead of them all, and, in my estimation, perfection; never grows weary, never utters a sigh; have used mine daily, casting continuously for a week and it ran just as smooth and clean Saturday afternoon as it did Monday morning. I expect to use mine for many years to come, in fact, as long as I use a reel, then give it to my son with the distinct understanding that he does not trade or sell it, but passes it down the line to the future Williams boys that may enjoy the use of the best reel ever made.

Gratefully yours, E. V. Williams.



W. H. Talbot Co:—

Canton, Ohio.

I have one of your Eli reels bought through the firm I travel for, Geo. Worthington Co., Cleveland, but did not get a copy of your book on bait-casting as noted in American Field. Will you please mail me a copy. The reel is the best I have ever used and have used some of the best makers' goods.

T. D. Moore.



JOSEPH H. HUNTER.

Attorney-at-Law and Solicitor of Patents.

113 G Street.

Washington, D. C.

Dear Mr. Talbot—Yours of 30th ultimo to hand. It is with pleasure that I recommend your reel. I have either used or owned every high-class reel that has been on the market for the last four years and am convinced that your reel has no equal.

First—It is of proper dimensions for casting.

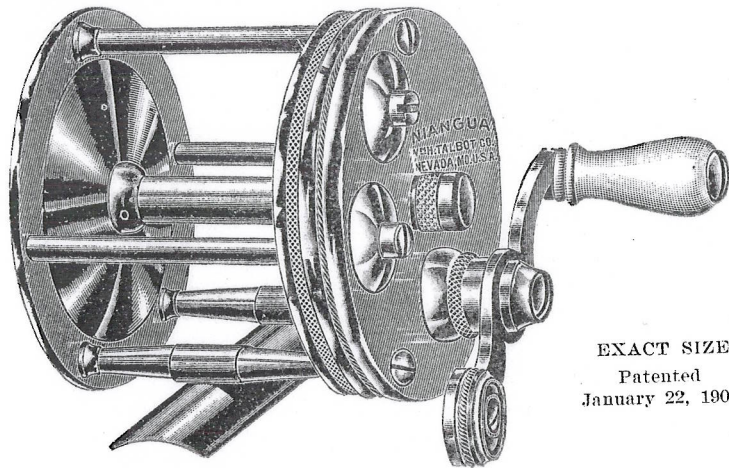
Second—It has the simplest mechanism.

Third—The material is of the best.

Fourth—The workmanship is perfect.

If you will read the American Field of the 30th ultimo you will see where I was with the Chicago boys casting. In the notes the editor got me mixed with my brother, J. A.

Very respectfully, JOSEPH H. HUNTER.



EXACT SIZE
Patented
January 22, 1901

FISHING REELS

NIANGUA

DIMENSIONS

Diameter of end plates 2 inches Length of spool 1½ inches
Diameter of spool ends 1½ inches

DESCRIPTION.—Made of best quality German silver, Steel pinion, studs and pivots hardened and oil tempered. French gray finish. Holds 60 to 100 yards of line. It will be noted that this reel has the same capacity and is very similar to our No. 3 reel, except the outside finish has less knurling and is not so highly polished and finished, but the bearings are given the same attention as No. 3, and it will fill the want of the angler that cannot afford one of the higher priced Talbot reels. We guarantee that this is the best reel on the market for the prices given below.

Niangua, as shown in cut, Click, Drag and Oil Caps, each...\$15.00
Niangua, as shown in cut, Click, Drag, Oil Caps and Jeweled 19.00

Wm. H. Talbot Co.

Nevada, Mo.

Gentlemen—I have examined and tried your new reel "Niangua" and hardly expected such a good article for the low price, at the same time we all know here that you would not put your name to an inferior article. After using this reel I find I can heartily recommend it and feel that the man of moderate means has no excuse now in not owning a reel of "Talbot" make, conceded to be the best in the world.

Very truly, VICTOR E. OWENS.

[8]

TESTIMONIALS

Wm. H. Talbot Co.—

Canton, Ohio.

Last spring I received from you your No. 3 Talbot Reel, the best reel I have ever possessed; more, it is the best reel I ever saw. To say I am pleased with the reel does not do it justice; I am delighted with it. I find can cast an artificial or live bait much farther, more accurately and with greater ease than experienced with any other make of reel; therefore can recommend it in the highest terms to all lovers of the piscatorial sport.

E. R. KIDD.



W. H. Talbot Reel Co.—

Cincinnati, Ohio.

After comparison and trial of your reel against others of a high grade, I can say without qualification that I think it far surpasses them all, and I am at all times its enthusiastic advocate. I would not sell mine for twice its cost if I were unable to procure another.

W. F. CRUGAR, "The Post."



W. H. Talbot:—

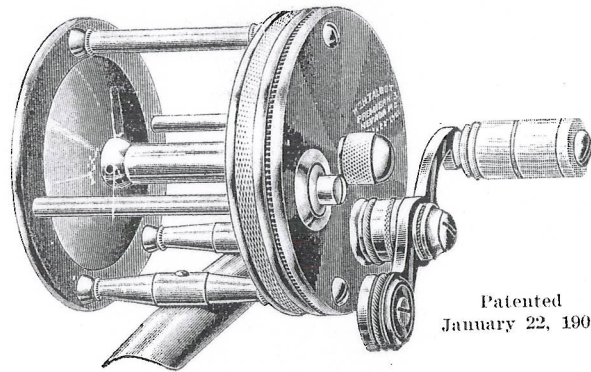
Pittsburg, Pa.

I thank you for being so prompt in sending me the screw for my reel; and while I have the reel at home and cannot try it on, it looks all right. I want to go away and I'd as soon think of going fishing without bait or boat, as to go without my Talbot Reel. It never fails, tho' my other makes trip me at critical points. I often wonder whether you men who make those nice reels for us ever take time to enjoy the reel, rod and woods?

SMITH AGNEW.

Editor's note.—Have fished a lifetime; would fish more if could make reels fast enough to get away; you fellows keep us nervous in telling of your many nice trips and at times when we must be busy. A maker of Talbot reels must be a fisherman to make such reels—has to know what is expected of the reels.

[9]



Patented
January 22, 1901

FISHING REELS

NO. 2

DIMENSIONS

Diameter of end plates, $1\frac{3}{4}$ inches Length of spool, $1\frac{3}{8}$ inches
Diameter of spool ends, $1\frac{1}{4}$ inches

DESCRIPTION

Made of best quality German silver. Ivory grasp. Steel pinion; studs and pivots hardened and oil tempered. Wheels made of the best hard rolled aluminum bronze rods. Talbot's improved spiral gears. Mirror and damaskeened finish. This is a good size for light fishing and where a larger line capacity is not necessary. It is as durable and works as smoothly as a larger reel; in fact, will give a good account of itself in rough and constant service. Large fish have been brought to gaff with it in the hands of the expert angler. Holds 60 to 80 yards of fine fishing line.

No. 21, as shown in cut, Click and Oil Caps, each.....	\$20.00
No. 23, as shown in cut, Click, Oil Caps and Cap Jewels each.....	27.00
No. 25, as shown in cut, Click, Oil Caps, Cap and Hole Jewels, each.....	37.00
Either grade, with Drag, extra.....	2.00

[10]

TESTIMONIALS

ST. LOUIS & SAN FRANCISCO RAILWAY CO.

E. E. Levens, Secretary:

Springfield, Mo.

My Dear Sir.—The No. 2 Premier is certainly the culmination of mechanical skill; to say that I am pleased with it would be too tame, in fact, to be perfectly frank with you, the English vocabulary is not sufficiently verbose to express my appreciation of the truly wonderful little piece of mechanism. "T."

Yours tenderly,

A. H. HIXON.

G. B. CLEMONS CO.
Piano Manufacturers.

Mr. W. H. Talbot:

Chicago, Ill.

Dear Sir.—Replying to your communication of recent date, will state that I cannot spare my reel at present, as I am fishing constantly, but at the earliest opportunity I will send it to you to have the lost cap replaced. I have several other reels of well known makes, but use none of them. For steady, accurate work no reel equals the Talbot. No bait-caster who has not a Talbot reel can work to the best of his ability, and any fisherman who denies the absolute supremacy of your reel is inefficient or unfairly prejudiced.

G. B. CLEMONS.

JOHNSON, HOUTS, MARLETT & HAWES.

Attorneys and Counselors,
Suite 705-710 Carleton Building.

E. E. Levens, Esq.:

St. Louis, Mo.

My Dear Sir.—I have your letter of October 10, asking whether I have used the Talbot reel. I have three of your reels, No. 2, No. 3 and No. 5. They are the best reels made in the world. I have used them for five or six years, catching large muscullonge, bass and pike, and unhesitatingly recommend them to all of my friends. Being at the present time well supplied, I will not need any new reels in the near future.

HARRY B. HAWES.

President Police Board and Jefferson Club.

Chicago.

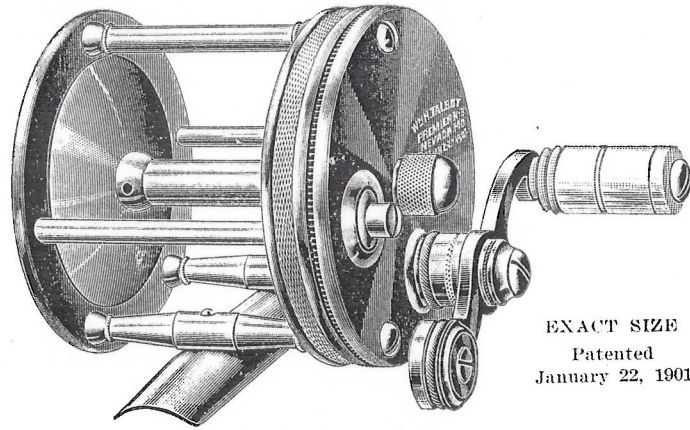
No. 77 Jackson Street.

Mr. W. H. Talbot, Nevada, Mo.:

Dear Sir.—I thought it might interest you to know that the pair of No. 2 jeweled bait casting reels made for me last year worked overtime most of the summer and proved their ability as easy goers and hard workers. They were mascots also for I never have had as good success in taking large fish as during the past season. My three largest: black bass weighed $5\frac{1}{4}$, $5\frac{1}{2}$ and $6\frac{3}{4}$ pounds each respectively. My three largest muscullonge weighed 28 2-3, 32 and $47\frac{3}{4}$ pounds each respectively, all caught with the little No. 2, thereby proving the fallacy of the assertion that it is necessary to use a large reel to land a large fish. By the way, the next time you are in Chicago, come and see me; I want to show you the fish so you will say I am a "tergiversator." I had them mounted as proud trophies of the season's success. Wishing you luck and a happy New Year, I am,

Yours sincerely, FRED GARDNER.

[11]



EXACT SIZE
Patented
January 22, 1901

FISHING REELS

NO. 3

DIMENSIONS

Diameter of end plates 2 inches Length of spool 1½ inches
Diameter of spool ends 1½ inches

DESCRIPTION

Made of best German silver. Ivory grasp. Steel pinion, studs and pivots, hardened and oil tempered. Wheels made of the best hard drawn aluminum bronze rods. Talbot's improved spiral gears. Mirror and damaskeened finish. Holds 80 to 100 yards of line.

The ideal and most popular size for expert bait-casting and all around game fishing—from the bass to the muscallonge. If the angler only wants or uses one of our reels, we highly recommend this size to him. It fills all requirements. With a small amount of care this reel will last a life time.

No. 31, as shown in cut, Click and Oil Caps, each.....	\$21.00
No. 33, as shown in cut, Click, Oil Caps and Cap Jewels, each.....	28.00
No. 35, as shown in cut, Click, Oil Caps, Cap and Hole Jewels, each.....	38.00
Either grade, with Drag, extra.....	2.00

TESTIMONIALS

W. H. Talbot:—

Chicago.

After using your No. 3 reel I find it as good today as the day I got it. For two consecutive seasons I won the first medal in bait-casting contest of the Chicago Fly Casting Club. I frankly state that I do not think I could have accomplished it with any other make of reel. I heartily recommend it as the best reel in all respects, on the market today.

H. G. HASCALL.

W. H. Talbot:—

St. Paul, Minn.

I have purposely refrained from writing you anything about the reel you sent me until I could give it a thorough practical test under varied conditions. I can now conscientiously say that I believe it is the best reel made. I have had it in constant use since April on trout streams and on the bass lakes. The first day I used it I landed 85 brook trout. After finding a line suitable for good bait-casting I have done the most perfect work at bait-casting, 100 to 125 feet, that have ever experienced. Believe can make perfect casts all day by using same weight of bait. The reel is mechanically perfect and I believe it will last for years. It has been admired by hundreds of anglers, and dealers tell me that where a high grade reel is sought it is invariably the Talbot that is demanded.

L. E. CAVALIER,

Editor Outing and Fishing Department, St. Paul Dispatch.

FRANK LESLIE PUBLISHING HOUSE.

R. C. Wilson, Secretary.

Mr. W. H. Talbot:

New York.

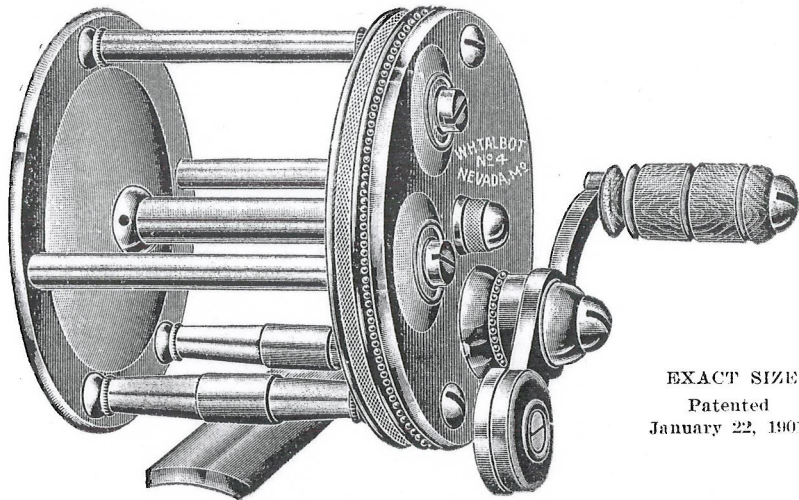
Dear Sir:—I have your letter of July 11th, with enclosures as stated I should like to say that nothing has added to my pleasure in fishing more than the No. 3 reel you made for me two seasons ago. I have found it a tireless companion, as it never gets out of order. Up to the time I possessed a Talbot I did not know what a perfect bait-casting reel was.

R. C. WILSON.

Paris, France, 157 Faubg. St. Honore.

Dear Sir:—While almost any reel might do for casting heavy weights, such a tool as my No. 3 jeweled Talbot is required to cast neatly and accurately a small natural minnow, weighing under one-fourth ounce, flight of hook included. This is of great practical importance, as in many cases such light baits are the only ones that will pay

L. BOUGLE.



EXACT SIZE
Patented
January 22, 1901

FISHING REELS

NO. 4

DIMENSIONS

Diameter of end plates $2\frac{1}{8}$ inches Length of spool $1\frac{1}{8}$ inches
Diameter of spool ends $1\frac{1}{4}$ inches

DESCRIPTION

Made of best quality German silver. Ivory grasp. Steel pinion, studs and pivots hardened and oil tempered. Wheel made of the best aluminum bronze rods. Talbot's improved spiral gears. Mirror and damaskeened finish. Holds full 100 yards heavy bass silk line.

This reel is of same finish and style as No. 3, and is a popular size for lake fishing for bass, red fish, pickeral and muscallonge, or where larger line capacity than No. 3 is wanted. A most excellent reel.

No. 41, as shown in cut, Click, Drag and Oil Caps, each... \$25.00

No. 43, as shown in cut, Click, Oil Caps, Jeweled, each... 32.00

TESTIMONIALS

Wm. H. Talbot:—

Kalamazoo, Mich.

I have been bait-casting for past five years. I am a member of the club at this city. I shall be in the next tournament with the rest of the bunch. I got this reel second-hand for \$15.00. Cannot say enough for it. I have a chance to compare it with other good makers, as the Kalamazoo Casting Club uses nothing but the best. I was offered \$20.00 in cash for it—I simply will not sell it. It is not every reel you can use three years and get an offer of \$20.00 for it. Moral.—When you buy a reel get a good one.

E. J. LUCKART.



Wm. H. Talbot:—

Fort Wayne, Ind.

It pleases me very much to hear that you received the highest award at World's Fair; and that makes me elated that I have one of your good reels. I was out on a two weeks fishing trip last October, and will say for your reel, it is the finest and most perfect that I ever saw or used. Have shown it to my angling friends and some dealers, and they all confess that it is the finest they ever saw.

JOHN TERRY.

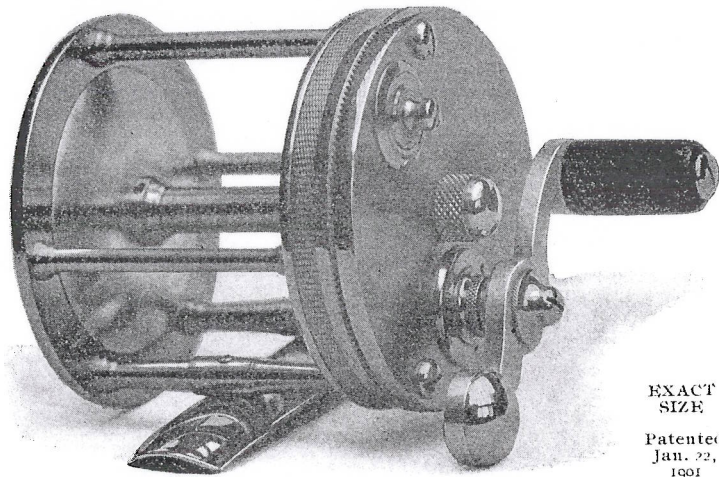


Wm. H. Talbot Co:—

Marcelona, Mich.

You ask in your favor of 14th, as to my being in line for a reel. I am not desirous of purchasing at the present time a Talbot or any other reel. Now that calls for explanation, don't it? Well, I am the owner of at least a dozen reels, all that I can afford, more than I can afford, and of the whole dozen there is but one that counts, but that one makes up in excellency for the short comings of all the others. It is the gem and pet of my tackle cabinet and in fact holds the place of honor in my whole sporting outfit. It is a very pretty affair as it lays in its leather case but it is not there that it shines forth its true merit but when it is on the rod and in action with bait or fly, and then it never fails to prove itself the best of the high grades. It has a lot of distinctive features which show it to be of the best, even the novice can see that by turning to the end and reading "Talbot No. 3."

C. L. BAILEY, Attorney-at-Law.



EXACT
SIZE
Patented
Jan. 22,
1901

FISHING REELS

TALBOT SPECIAL

DIMENSIONS

Diameter of end plates $2\frac{1}{8}$ inches Length of spool $1\frac{1}{2}$ inches
Diameter of spool ends $1\frac{3}{8}$ inches

Made of best quality German silver. Aluminum spool and handle. Talbot's improved spiral gears, hardened and tempered in oil. Damascened and mirror finish. Drag on front and heavy adjustable click on back plate. Improved steel click and click spring, tempered and hardened in oil. Ten grains will overcome the inertia of loaded spool. Holds 100 yards of line.

The advantages of this reel are: Great strength and stability, combined with lightness. This is not attained by increasing the weight, but by rigidity of construction and the use of a special light but strong alloy of aluminum for spool and handle, allowing very little weight to overcome inertia of spool. Perfect workmanship. This, we believe is of a higher order than has ever been applied to casting reels. The reel throughout is constructed as well as mechanical skill and best material can make it.

Talbot Special, as shown in cut, Click, Drag and Oil

Caps; Cap Hole and Gear Jewels of Sapphire, each... \$50.00

Talbot Special, same as above, with Sapphire collar

Jewels added..... 60.00

TESTIMONIALS

FRED N. PEET.

157 W. Madison Street.

Mr. W. H. Talbot, Nevada, Mo.:

Chicago, Ill.

Dear Sir—I wish to add my testimonial to the excellency of your reels. Have used one of your reels for the past six years both for fishing and tournament work. It has proven very satisfactory and I consider it the peer of any reel on the market today for the modern art of bait-casting.

Very respectfully, FRED N. PEET.
Winner World's All-around Championship, Kalamazoo, Mich., Aug., 1903.



W. H. Talbot Co:—

Chicago.

My reel received—many thanks. I have two of your high grade reels in use and I wish to say they are the finest in the land.

H. R. WINFIELD,
President Illinois B. C. Club.



W. H. Talbot:—

Bozeman, Montana.

The reel came yesterday and am, of course, delighted with it. You are to be congratulated for so fine a piece of work. It is incomparable. I anticipate much pleasure in the use of the reel whenever I am in the neighborhood of bass fishing. I have ordered the Robert Clarke Company to forward you two of my books, which I trust will not disappoint you.

J. A. HENSHALL,

Writer and authority on bass, origan habits and culture; also on tackle. U. S. Fish Commissioner.



Kansas City, Mo.

Wm. H. Talbot, Designer and Bulder of Talbot Reels:—

It is unnecessary for argument to convince me, but you or any other reel maker, can have my order for a reel that has one better point in construction than the Talbot Special, all other points being equal.

Simple, noiseless and constructed upon practical, sensible lines.

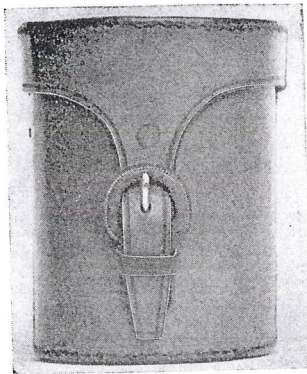
J. W. BRAMHALL.

(Who is Vice-President of the National Clubs Organization.)

Price List of Parts for Repairs

Balance Handle, complete.....	\$2.50
Ivory for Handle, finished.....	.50
Screw for Crank Shaft.....	.25
Gear Wheel.....	2.50
Disc for Click or Drag.....	.35
Screw for End Plates to Bars.....	.25
Top Bar.....	.60
Reel Seat or Strap.....	.75
Crank Handle, complete.....	1.75
Screw for Ivory Handle.....	.25
Complete New Gearing.....	5.00
Pinion.....	2.50
Screw for Click or Drag.....	.25
Plain or Side Bars, each.....	.50
Bottom Screws, each.....	.75

The above price list is a basis for charges on repair work. Engraving names on end plate, 5 to 7 cents per letter. To obtain the best results, your reel should be kept clean. We clean and put in good condition your reel at a charge of 75 cents to \$1.00. Reel oil, best quality, per bottle, 25 cents.



REEL CASES

There are no cases on the market the equal to ours; account being rigid; the encased reel will not be damaged in tackle box or grip, by contact.

Made of two thicknesses Heavy Russett Leather, lined with Billiard Cloth; nicely finished.

When ordering give size or name of Talbot Reel to be fitted. Reel Case, as shown in cut. \$1.50

[18]

SPECIAL NOTICE

An important feature of the "Talbot Reel" is the three bars or rods passing through the plate and cap, which are held in place by the three cap screws, making the reel much stiffer and stronger. There is also less liability of the screws coming out accidentally. We furnish detailed information to each customer of how to take care of a reel. The "Talbot" will last a lifetime with a very little attention. The mechanism is not intricate and cumbersome. By taking out three screws the handle plate may be removed, spool taken out and the whole works exposed. We solicit correspondence about our goods and will be pleased to discuss and explain any points brought up. To the lay member of the angling fraternity, the size of reel best adapted to the class of fishing he may describe. In fact, we will gladly give anglers the benefit of our experience as anglers and reel makers.

TERMS

Free.—With each reel we are presenting an illustrated article on "Care of Reel," one on "Tournament Rules" and for the lay member, an illustrated treatise on "Bait-Casting," written by men whom we consider "Peers among anglers."

Without remittance accompanies order, or you are not known to us, shipments will be made C. O. D., allow examination. Where draft, money order or other exchange accompanies order we will prepay expressage. In either event you are protected in our guarantee attached to each reel.

[19]



The



SPORTSMAN'S PARADISE

He can Float, Fish and
Hunt, on the Scenic
James River, between
Galena, Mo., and Bran-
son, Mo.—100 miles; al-
so between Branson, Mo.
and Coffey, Ark.—300
miles.

For detail information and further particulars apply to any Missouri
Pacific or Iron Mountain and Southern Local Agent, or

C. H. ROHRER,

D. P. A., 114 W. 4th St.,
Joplin, Mo.

H. C. TOWNSEND,

G. P. and T. A., Mo. Pac.,
St. Louis, Mo.