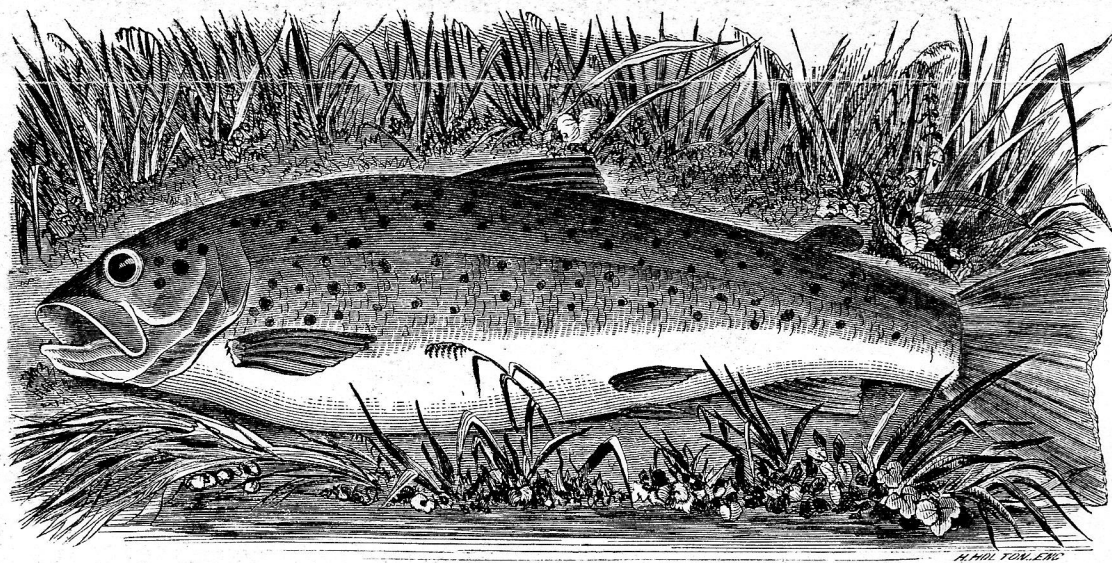


THOMAS H. BATE & CO.

No. 7 WARREN STREET,

NEW YORK,



MANUFACTURERS AND IMPORTERS OF

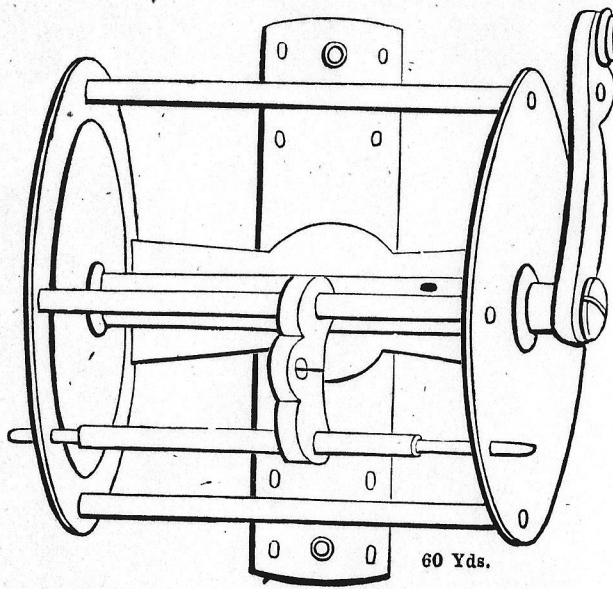
NEEDLES, FISH HOOKS,

FISHING RODS AND TACKLE

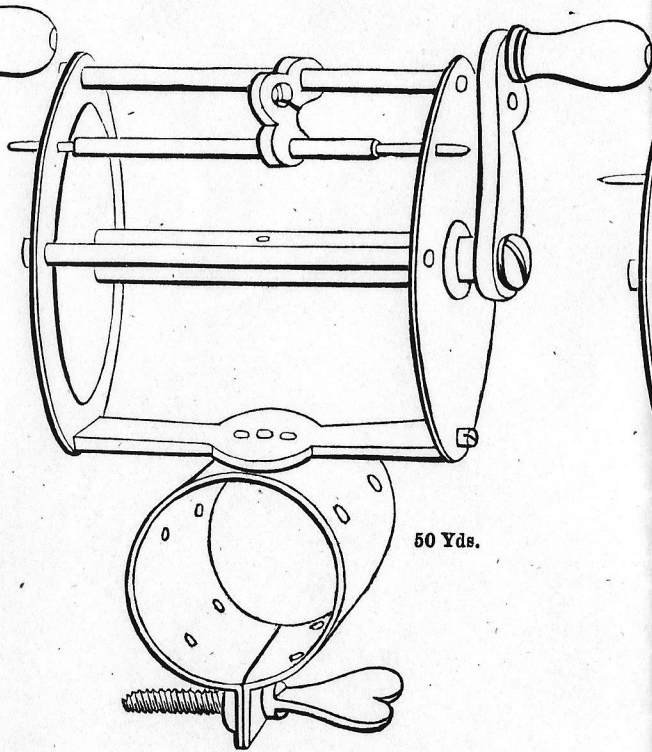
OF EVERY DESCRIPTION.

NEW YORK:

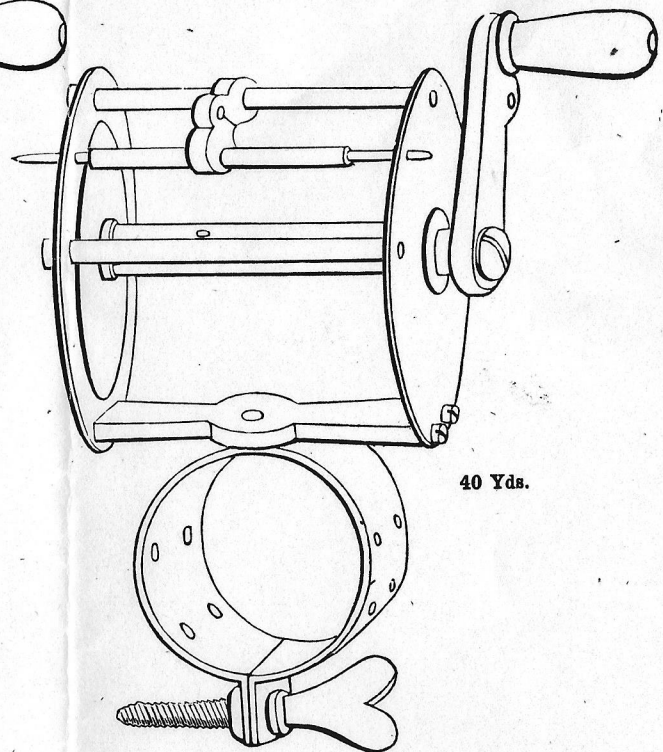
McCLELLAN & IVERS, STATIONERS, 66 WALL STREET.



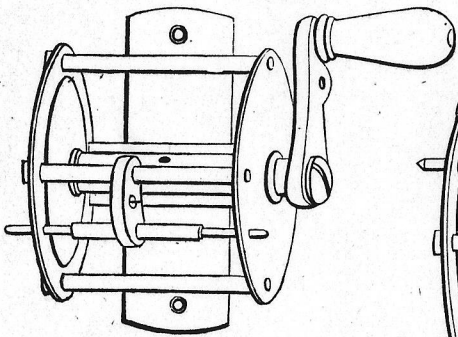
60 Yds.



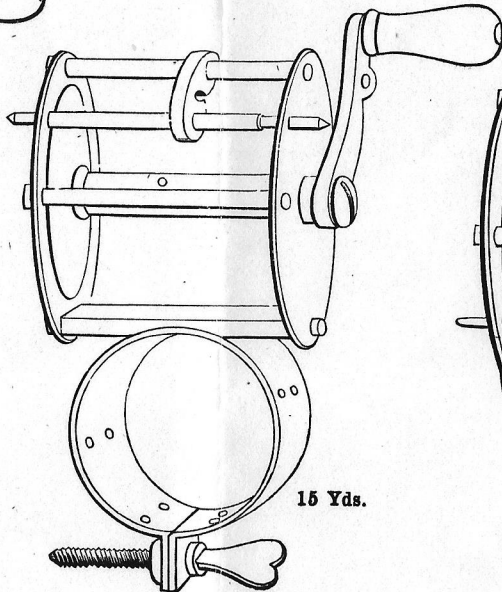
50 Yds.



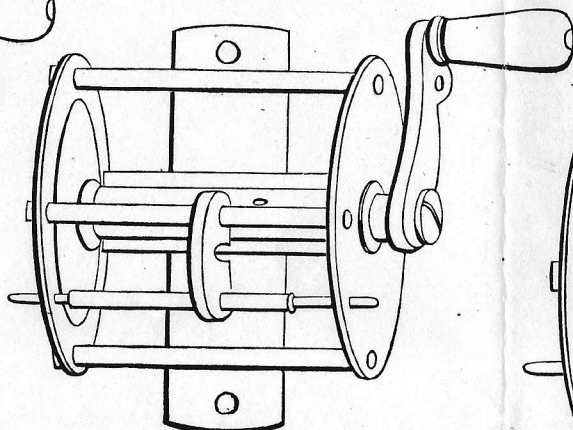
40 Yds.



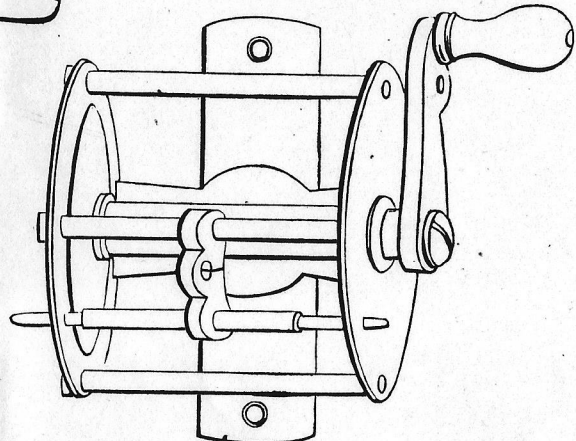
10 Yds.



15 Yds.



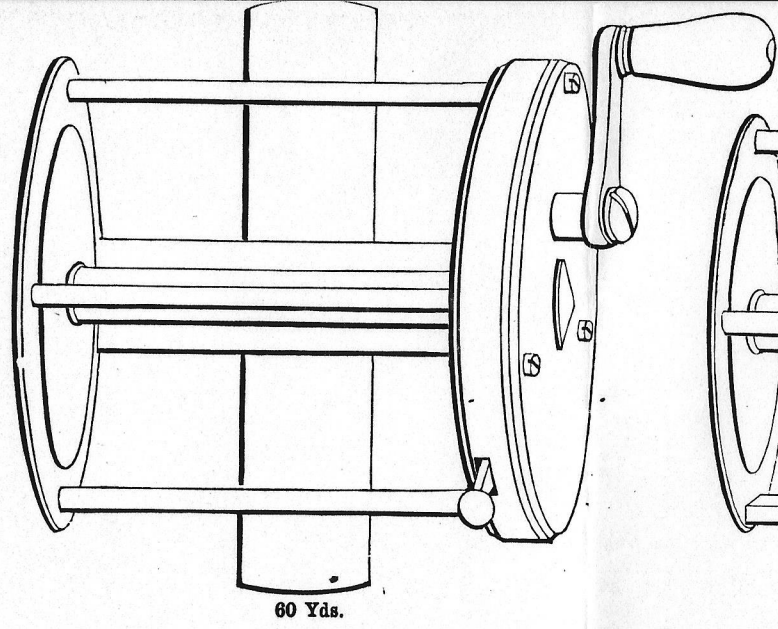
20 Yds.



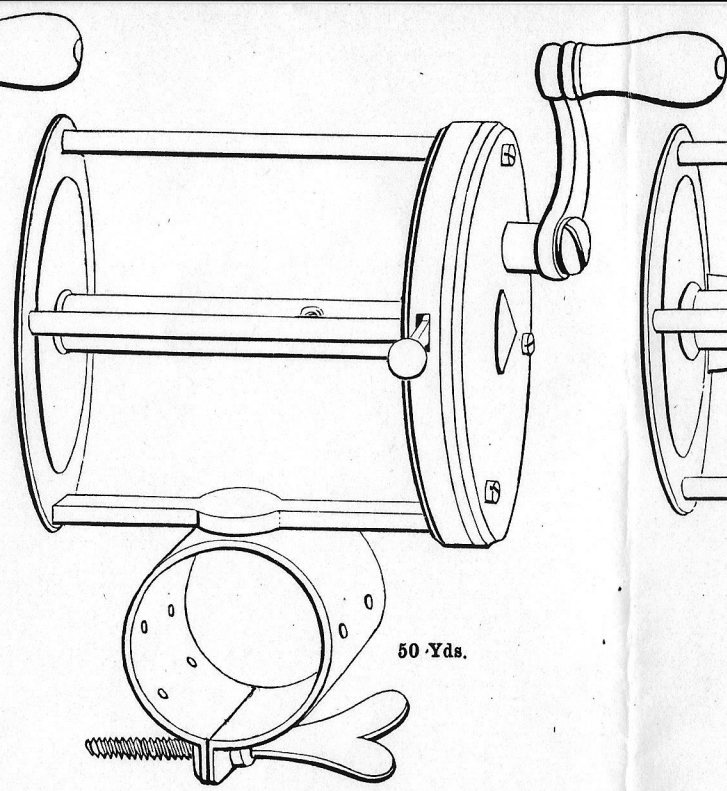
30 Yds.

BRASS PLAIN REELS.

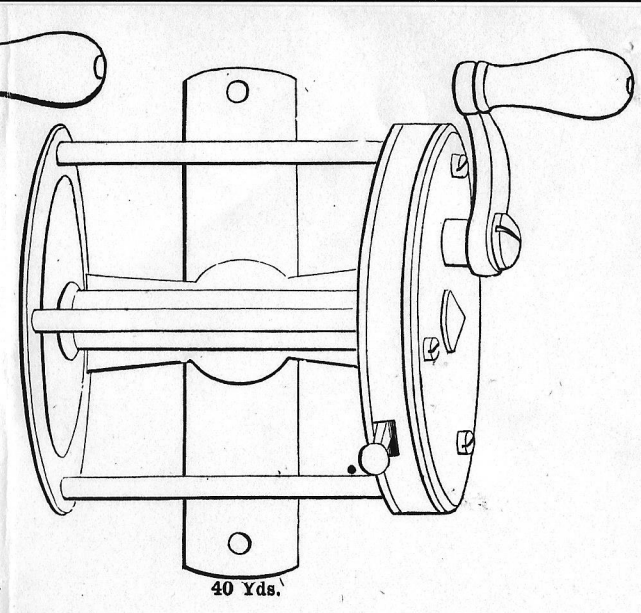




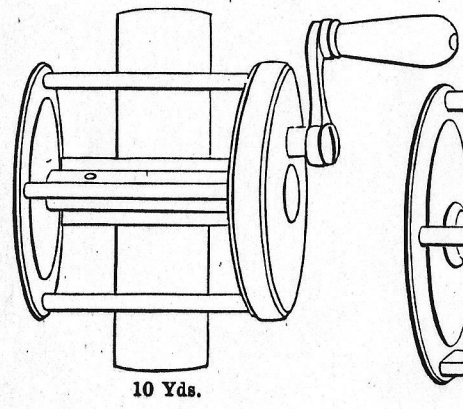
60 Yds.



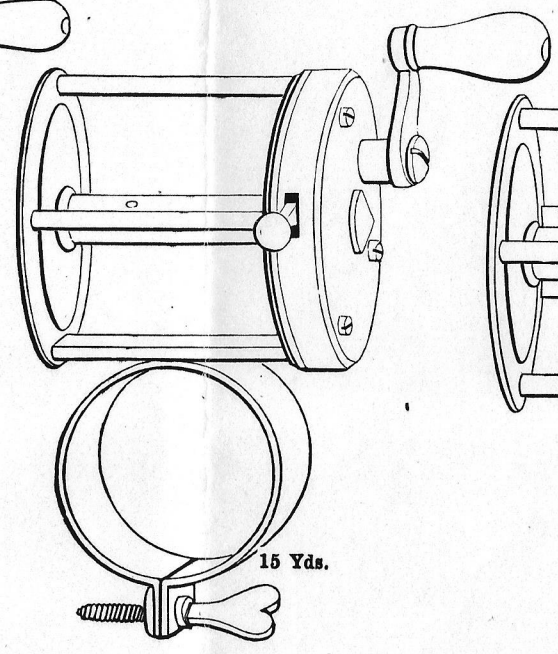
50 Yds.



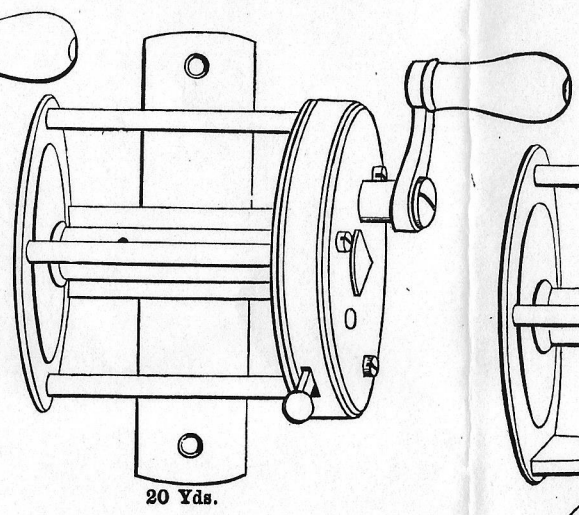
40 Yds.



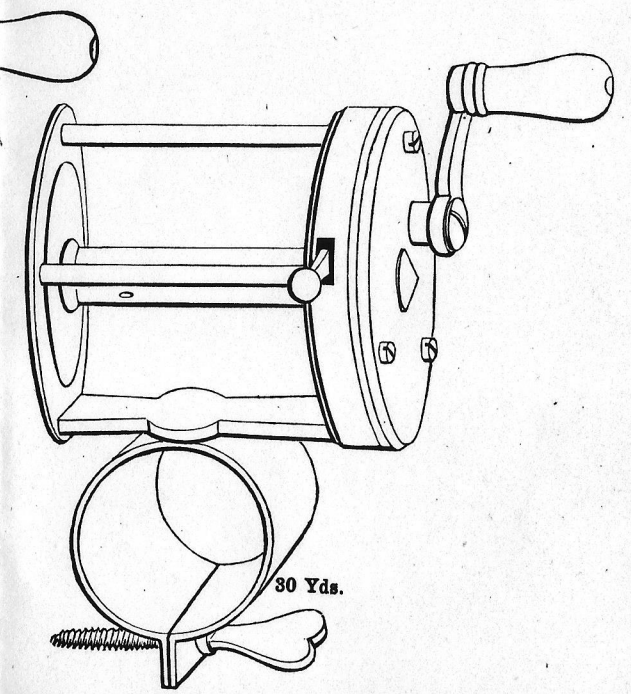
10 Yds.



15 Yds.

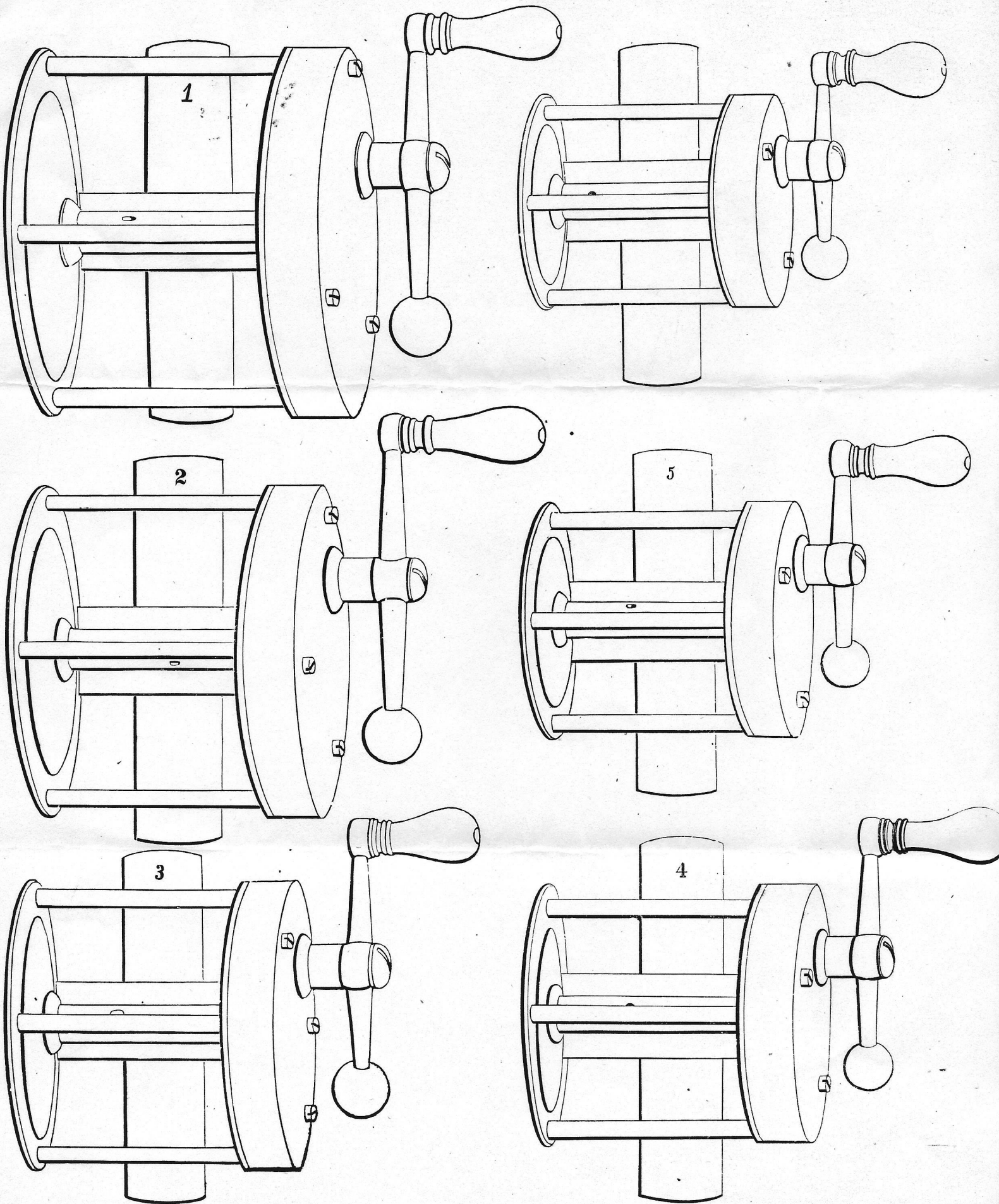


20 Yds.



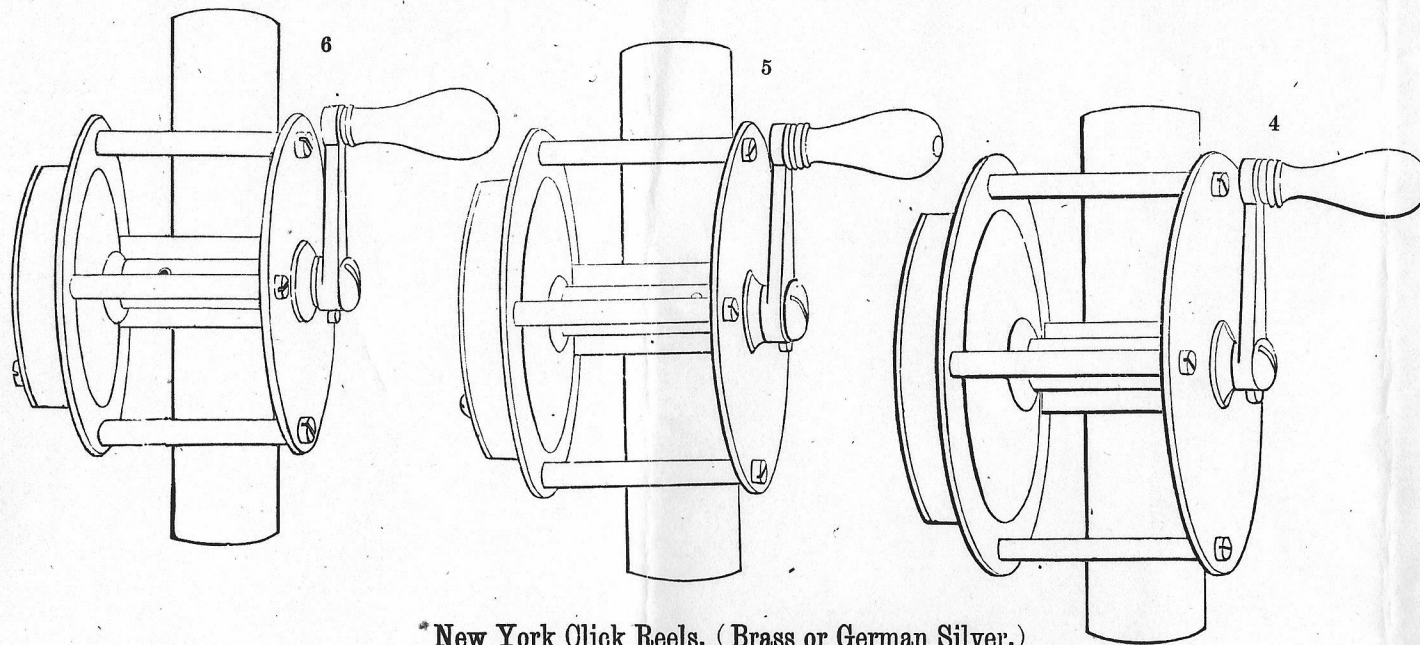
30 Yds.

BRASS MULTIPLYING REELS.

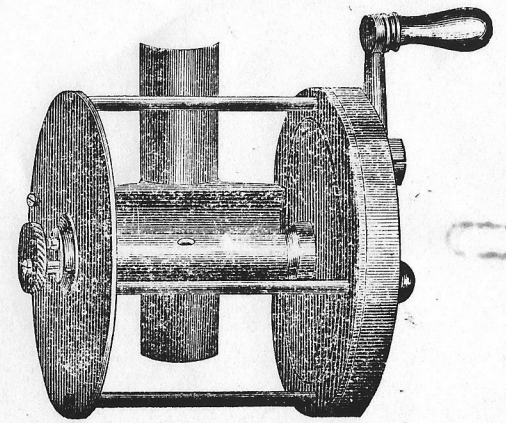


N. Y. Balance Handle Reels, (Brass or German Silver.)

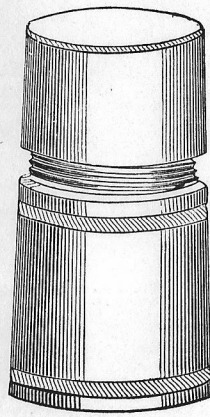
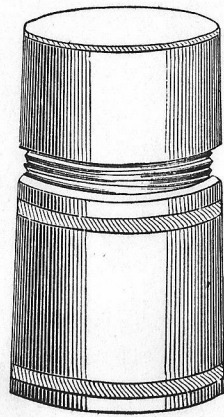
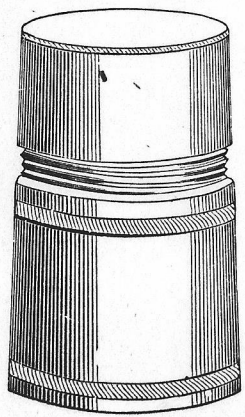




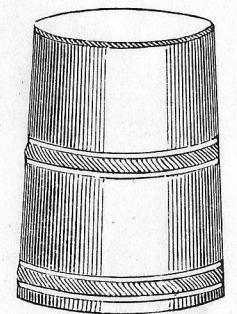
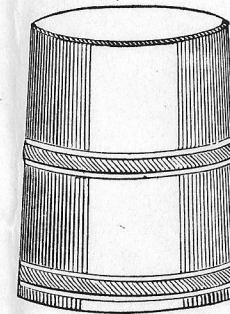
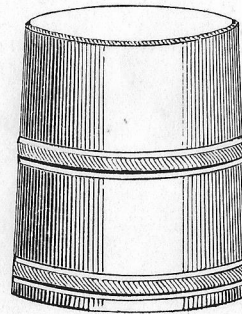
\*New York Click Reels, (Brass or German Silver.)



N. Y. Balance Handle Reel, with Hartill's Patent Drag.



Screw Butt Ferrules.



Plain Butt Ferrules.